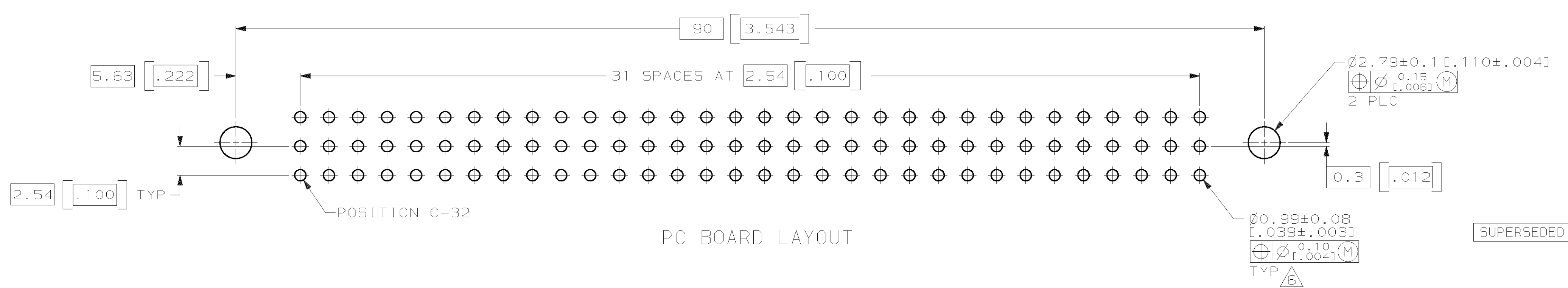
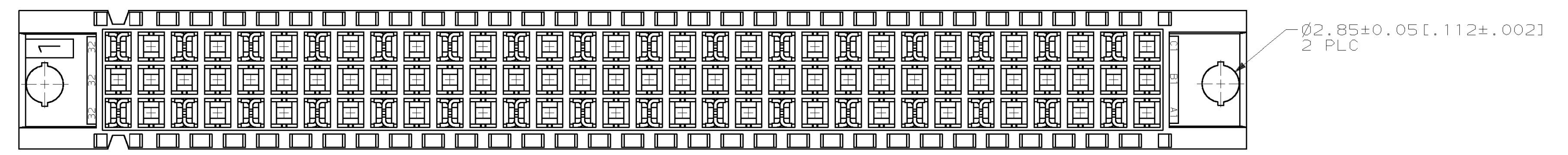
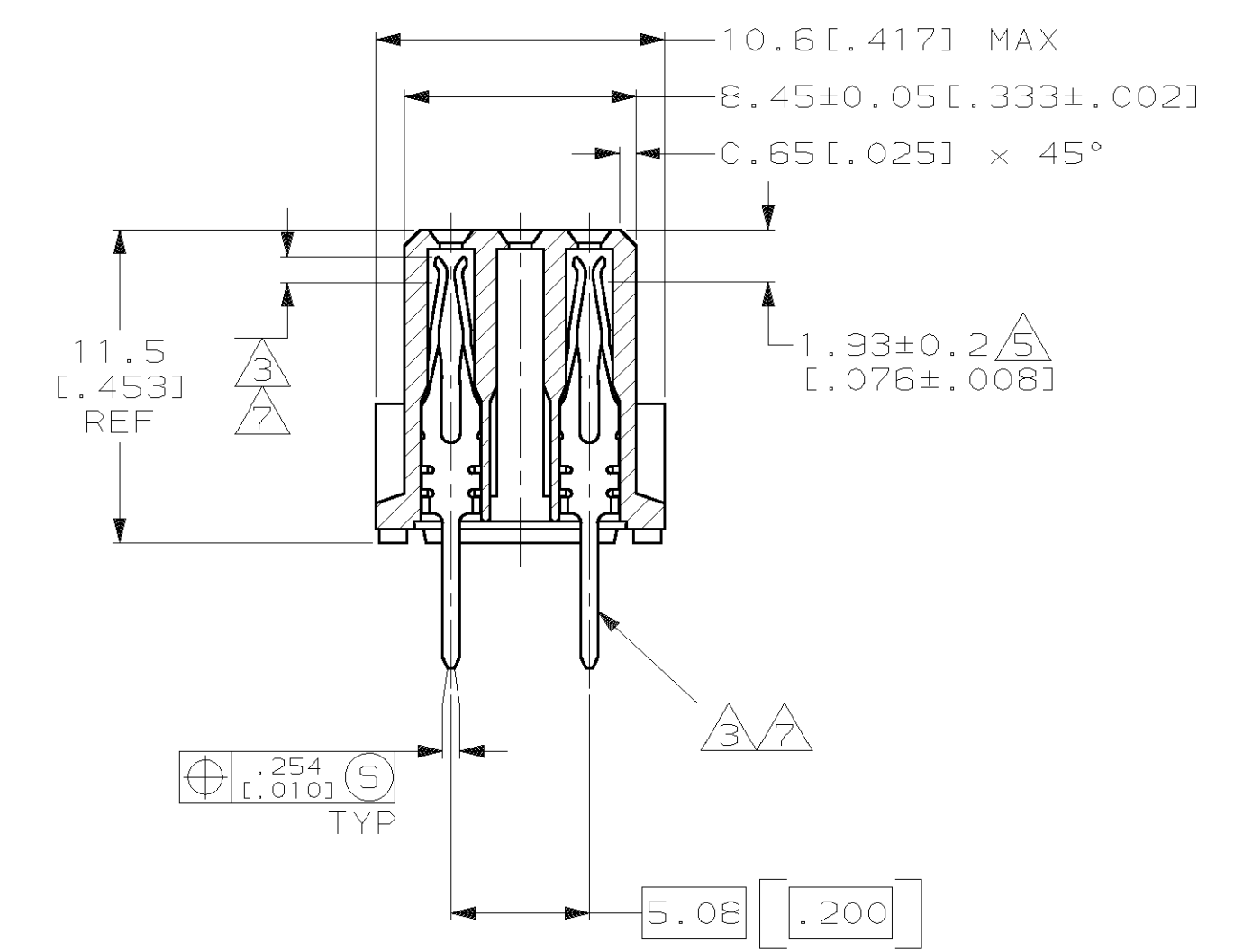
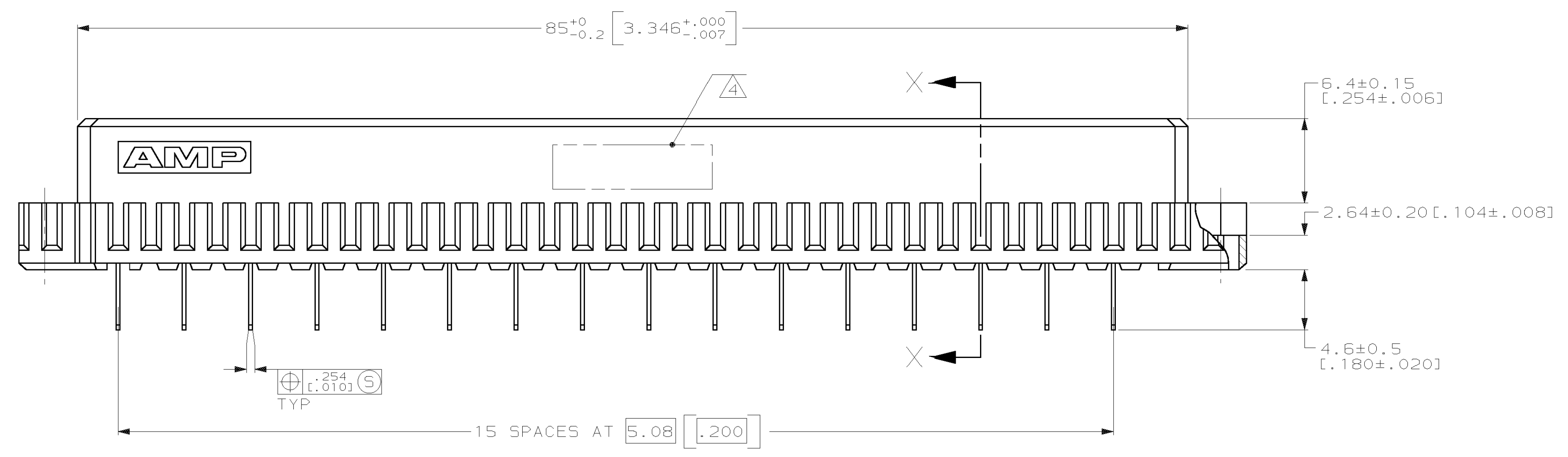
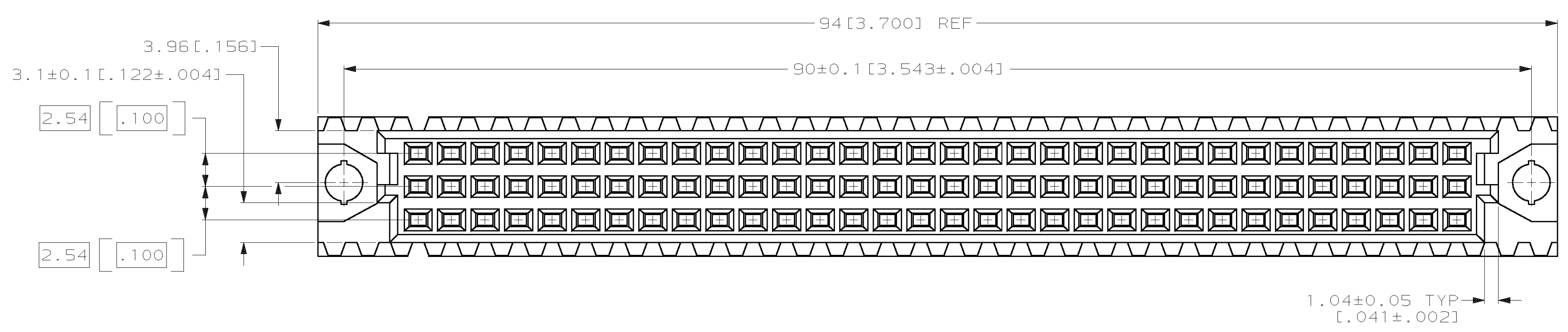


LOC	DIST	P	F	ZONE	LTR	DESCRIPTION	DATE	APPD
AD	25					EC 0010-1455-95	1/23/96	CR
						EC 0010-1484-95	4/1/96	CR
						REV PER EC OUTB-0367-00	09 JAN 01	CR



- 1 HOUSING MATERIAL: GLASS-FILLED POLYESTER. COLOR: GRAY.
- 2 CONTACT MATERIAL: PHOSPHOR BRONZE.
- 3 CONTACT FINISH: 0.00076[.000030] GOLD IN CONTACT AREA. 0.00127[.000050] NICKEL UNDERPLATE ALL OVER. TIN-LEAD ON POSTS.
- 4 PART NUMBER, DATE CODE IDENTIFICATION, CSA LOGO IN THIS APPROXIMATE AREA ON REVERSE SIDE.
- 5 POINT OF MEASUREMENT FOR GOLD.
- 6 RECOMMENDED HOLE SIZE FOR MANUAL APPLICATION OF CONNECTOR ONTO PC BOARD.
- 7 CONTACT FINISH: DIN 41612 CLASS 2 IN CONTACT AREA. TIN-LEAD ON POSTS.

SUPERSEDED BY	POSITIONS LOADED	C	B	A	NO. OF LOADED POSITION	ASSY PART NUMBER
650463-4	2,4,6,8...30,32	X	-	X	32	650463-4

DO NOT SCALE PRINT. UNLESS SPECIFIED DIMENSIONS IN mm [INCHES]. TOLERANCES ON:	DR	CHK	APPD	APPD	NAME
1 PLC DEC ± -	L. BRINER	N. DRASHER	N. DRASHER	N. DRASHER	RECEPTACLE ASSEMBLY, EUROCARD, TYPE "C"
2 PLC DEC ± 0.13 [0.005]	3/13/90	3/22/90	3/22/90	3/23/90	
ANGLES ± -					
HSG					
CONT					
FINISH	APPLICATION SPEC	SIZE	FSCM NO	DRAWING NO	
CONT		D	00779	650463	
	WEIGHT	SCALE	4:1	SHEET	1 OF 1