

3M™ Power Clamp Branch Connector

3 mm, Branch, Y-Type, 1 Socket and 2 Plugs, 5 Positions x 3

357 Series



- Branch Interconnect takes one input and splits it into 2 outputs
- Latching clip retains the Branch Connector to the header
- CC-Link Communication Interconnect Standard
- One-Touch latching mechanism maintains a reliable interconnection in demanding field applications and requires only one hand to easily mate and unmate
- Polarization ensures proper interconnecting of mated pairs
- RoHS Compliant. See the Regulatory Information Appendix (RIA) in the "RoHS compliance" section of www.3M.com/Interconnects for compliance information (RIA E1 & C1 apply).

Date Modified: December 20, 2009

TS-2304-B
Sheet 1 of 2

Physical

Insulation:

Body Material: PBT

Latch material: PBT

Flammability: UL 94V-0

Body Color: Black

Latch Color: Black

Contact:

Material: Copper Alloy

Plating:

Underplating: 2.5 µm Ni minimum

Header Wiping Area: 0.5 µm Au minimum

Socket Wiping Area: 0.5 µm Au minimum

Mating Compatibility: 355, 35T, 356, and 358 series products (with same polarization)

Electrical

Current Rating: 18 AWG: 10A (1 contact/socket); 7A (2 - 5 contacts/socket)

20 AWG: 9A (1 contact/socket); 6A (2 - 5 contacts/socket)

Rating Conditions: 30° C maximum temperature rise

Voltage Rating: 250 V

Insulation Resistance: 10³ MΩ min. at 600 V_{DC}

Withstanding Voltage: 1,000 V_{RMS} for 1 minute

Environmental

Temperature Rating: -20°C to +75°C ambient

UL Rating: 65° C

UL File No: E68080



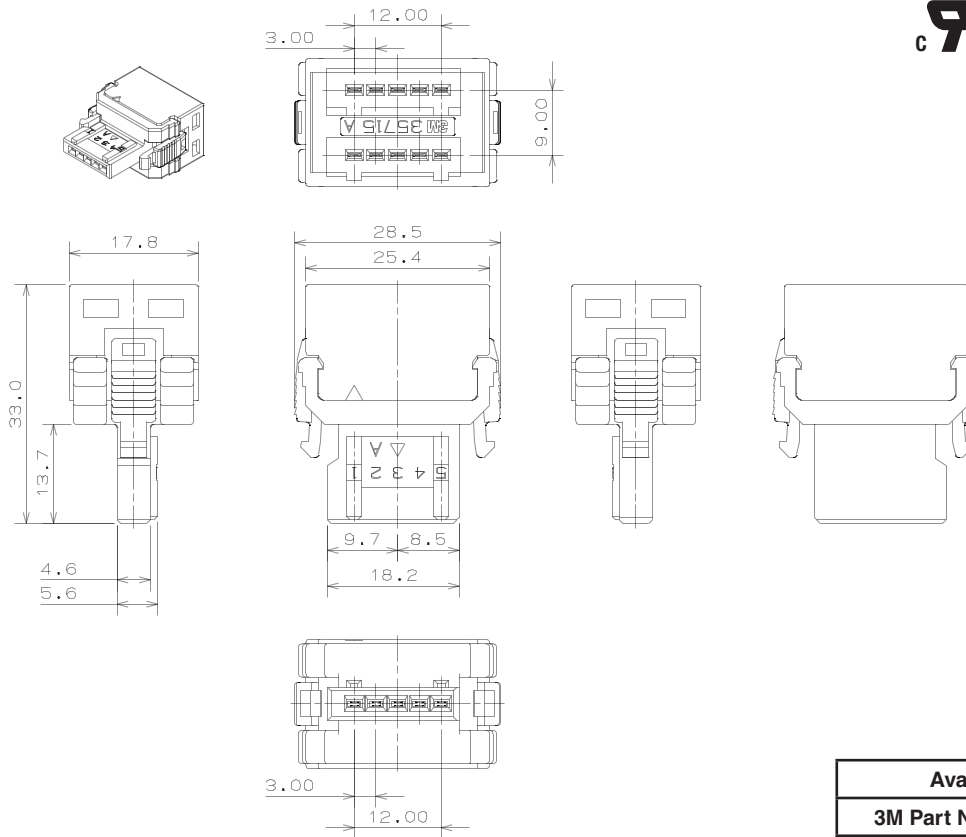
Electronic Solutions Division
Interconnect Solutions
<http://www.3M.com/interconnects/>

3M is a trademark of 3M Company.
For technical, sales or ordering information call
800-225-5373

3M™ Power Clamp Branch Connector

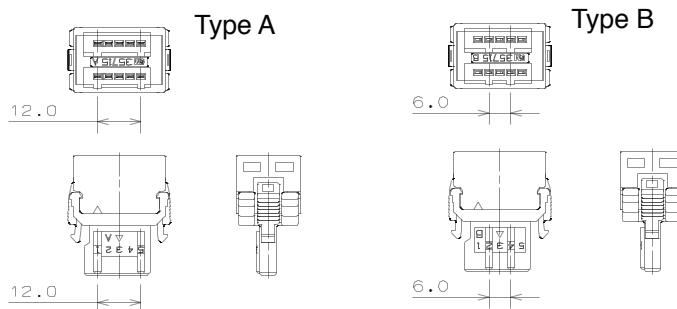
3 mm, Branch, Y-Type, 1 Socket and 2 Plugs, 5 Positions x 3

357 Series



Available Part Numbers	
3M Part Number	Polarization Key
35715-L010-A00 AK	A
35715-L010-B00 AK	B

Polarization



Tolerance Unless Noted			
	mm	[Inch]	
	.0	.00	.000
mm	±3	±.13	±.008

[] Dimensions for Reference Only

Ordering Information

35715-L010-X00 AK (RIA E1 and C1 Apply)

Polarization:
A: Type A (wide)
B: Type B (narrow)

TS-2304-B
Sheet 2 of 2

Important Notice

All statements, technical information, and recommendations related to 3M's products are based on information believed to be reliable, but the accuracy or completeness is not guaranteed. Before using this product, you must evaluate it and determine if it is suitable for your intended application. You assume all risks and liability associated with such use. Any statements related to the product which are not contained in 3M's current publications, or any contrary statements contained on your purchase order shall have no force or effect unless expressly agreed upon, in writing, by an authorized officer of 3M.

Warranty; Limited Remedy; Limited Liability.

This product will be free from defects in material and manufacture for a period of one (1) year from the time of purchase. **3M MAKES NO OTHER WARRANTIES INCLUDING, BUT NOT LIMITED TO, ANY IMPLIED WARRANTY OF MERCHANTABILITY OR FITNESS FOR A PARTICULAR PURPOSE.** If this product is defective within the warranty period stated above, your exclusive remedy shall be, at 3M's option, to replace or repair the 3M product or refund the purchase price of the 3M product. **Except where prohibited by law, 3M will not be liable for any indirect, special, incidental or consequential loss or damage arising from this 3M product, regardless of the legal theory asserted.**

**3M Electronics Solutions Division**

6801 River Place Blvd.
Austin, TX 78726-9000
U.S.A.
1-800-225-5373
www.3m.com/interconnects

Please recycle. Printed in USA.
© 3M 2008. All rights reserved.
RIA-2217B-E

3M is a trademark of 3M Company.