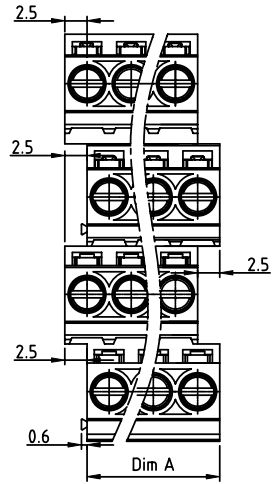


PRODUCT NUMBER	PITCH
Y1xx01x100J0G	5.00 mm



DIMENSION

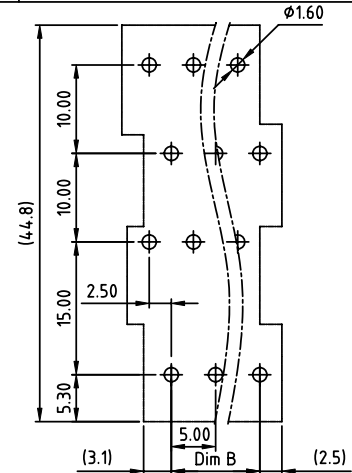
Dim A=N/4x5.0
Dim B=(N/4-1)x5.0

N=Number of poles

Poles	Tolerance
8poles~24poles	±0.20
28poles~48poles	±0.25
52poles~72poles	±0.30
76poles~96poles	±0.40

PART NO.: Y1xx 01 x 1 00J0 G

End stackable No. of poles	Color	RoHS compliant (lead<4%) In copper Alloy
08 4x2 poles	0 Black (RAL9005)	
12 4x3 poles	2 Red (RAL3001/D)	
...	3 Orange(RAL2011/P)	
...	4 Yellow(RAL1018/A)	
96 4x24 poles	5 Green(RAL6018/T)	
	6 Blue (RAL5015/A)	
	8 Grey(RAL7035/D)	
	9 White(RAL1102)	
	C Green(RAL6018/U)	



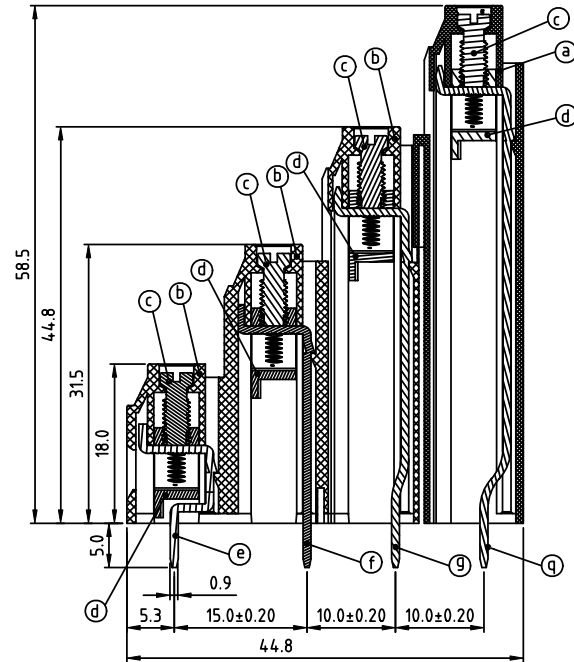
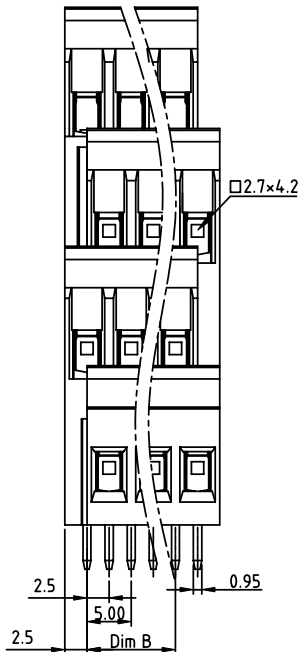
RECOMMENDED P.C.B LAYOUT
TOP VIEW

Material:

- Item ㉑ Terminal housing : Thermoplastic (UL94V-0)(YG5.0)
- Item ㉒ Terminal housing : Thermoplastic (UL94V-0)(YH5.0)
- Item ㉓ Terminal screw: Steel Zinc plating "-" slot type
- Item ㉔ Clamp : Brass , Ni plating
- Item ㉕ Solder pin1 : Brass, Tin plated
- Item ㉖ Solder pin2 : Brass, Tin plated
- Item ㉗ Solder pin3 : Brass, Tin plated
- Item ㉘ Solder pin4 : Brass, Tin plated

Electrical cULus

- Voltage rating: 300VAC
- Current rating: 15A
- Wire range:
- Solid wire(AWG): 12-28
- Stranded wire(AWG): 12-28
- Torque(Lb-In): 4.3
- Screw: M3
- Wire strip length: 6-7mm
- Withstanding Voltage: 1.6KV
- Operating temperature: -40°C to +115°C
- Soldering temperature: 260°C±5°C/5 Sec



mat'l. code	surface ASME Y14.5	tolerance ASME Y14.5	projection	product family	
ltr	ecn	no	dr	date	TERMINAL BLOCK
				title	TERMINAL BLOCK
				scale	MM
				scale	RISING CLAMP,180D WIRE INLET,END STACKABLE
				dwg no	Y1xx01x100J0G
				sheet 1 of 1	size A4
				type	CUSTOMER Drawing
sheet index	revision	A			
	sheet	1			