

MODEL:

PDUMV32HVNET

Switched Rackmount PDU



High Voltage
Input/Output



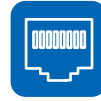
24 Outlets



30A Max Capacity



Multimode
Load Meter



Network
Interface

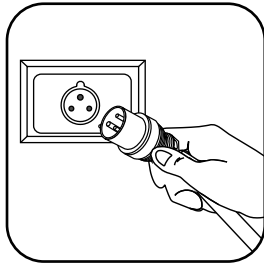


0U Rackmount



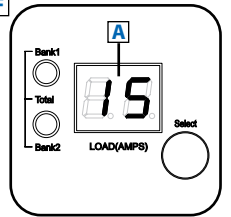
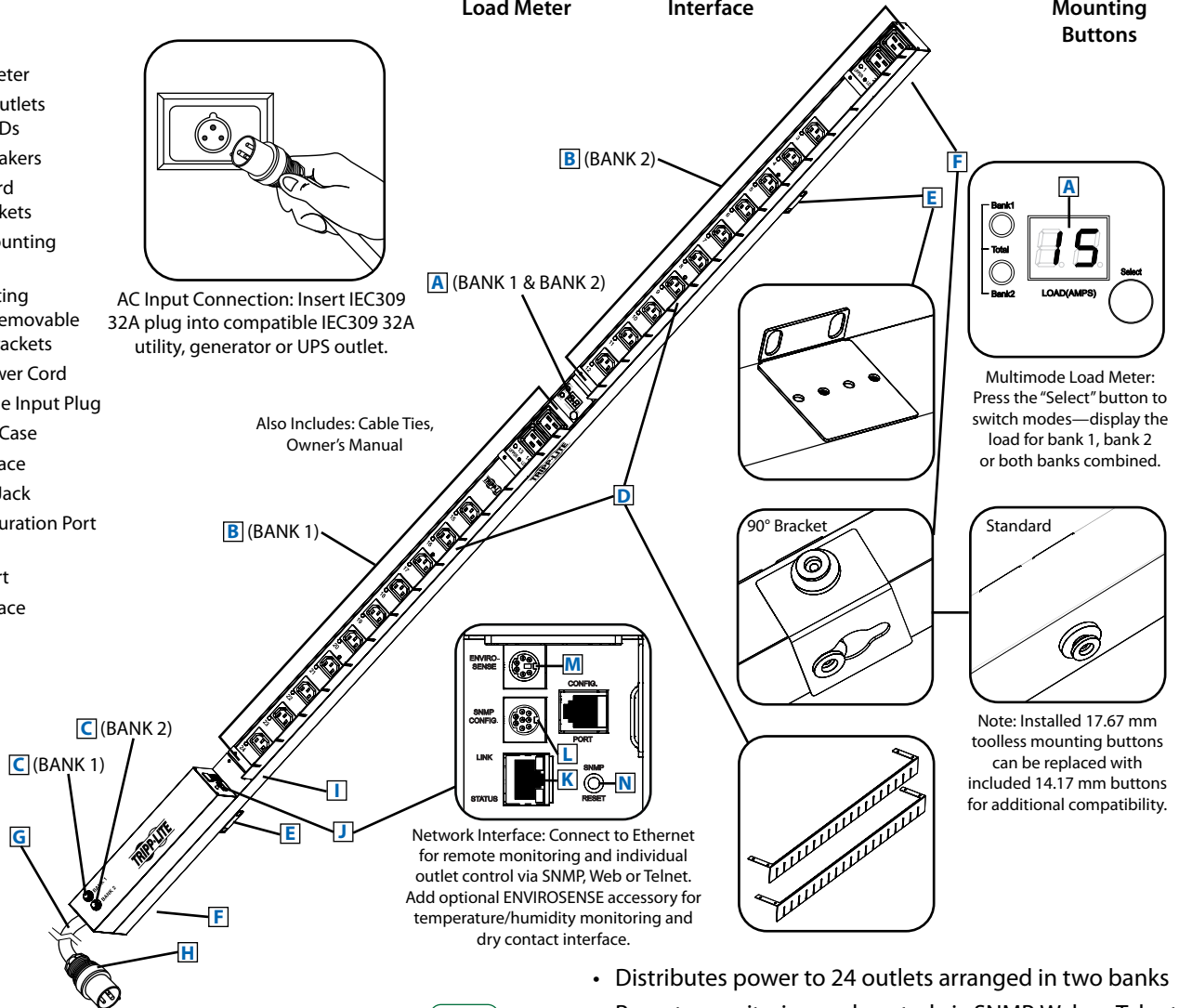
Toolless
Mounting
Buttons

- A** Digital Load Meter
- B** C13 and C19 Outlets with On/Off LEDs
- C** 15A Circuit Breakers
- D** Removable Cord Retention Brackets
- E** Removable Mounting Brackets
- F** Toolless Mounting Buttons with Removable 90° Rotation Brackets
- G** 10 ft. Input Power Cord
- H** IEC309 32A Blue Input Plug
- I** Durable Metal Case
- J** Network Interface
- K** RJ45 Ethernet Jack
- L** Manual Configuration Port
- M** Environmental Monitoring Port
- N** Network Interface Reset Button

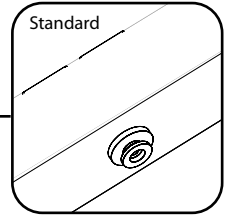
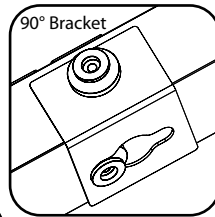
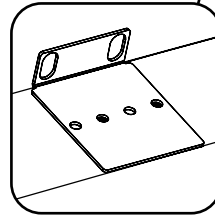


AC Input Connection: Insert IEC309 32A plug into compatible IEC309 32A utility, generator or UPS outlet.

Also Includes: Cable Ties,
Owner's Manual



Multimode Load Meter:
Press the "Select" button to
switch modes—display the
load for bank 1, bank 2
or both banks combined.



Note: Installed 17.67 mm
toolless mounting buttons
can be replaced with
included 14.17 mm buttons
for additional compatibility.

Network Interface: Connect to Ethernet
for remote monitoring and individual
outlet control via SNMP, Web or Telnet.
Add optional ENVIROSENSE accessory for
temperature/humidity monitoring and
dry contact interface.

Specifications

Model	PDUMV32HVNET
Voltage	230V
Frequency	50/60 Hz
Maximum Capacity	30A
Input Connector	IEC309 32A Blue (2P+E)
Cord Length	10 ft.
Outlets	24 (20 C13 / 4 C19)
Primary Mounting Option	0U (Vertical) Rackmount
Unit Weight &	11.5 lb / 70 x 2.19 x 4.75 in.
Dimensions (H x W x D)	See next page for detailed unit measurements.
Certifications	Tested to CE, IEC/EN60950



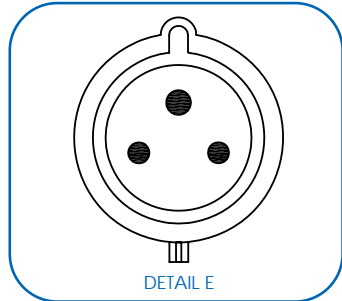
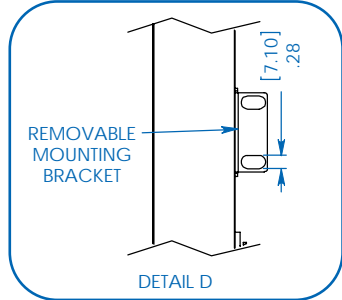
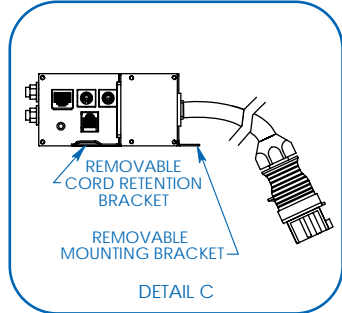
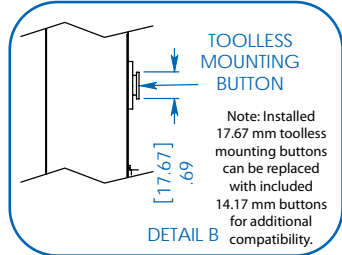
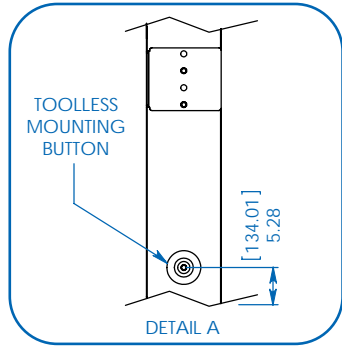
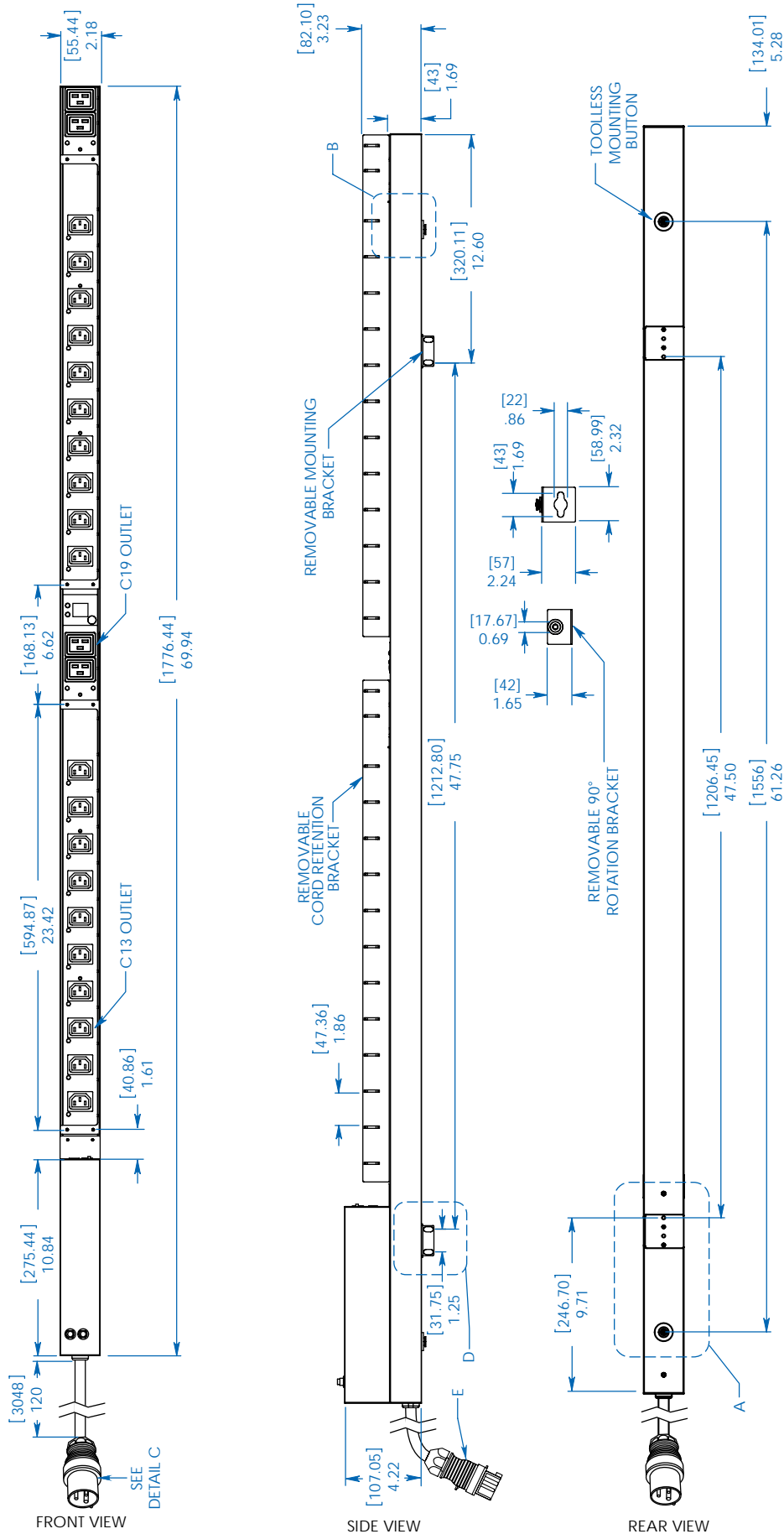
Tripp Lite has a policy of continuous improvement. Specifications are subject to change without notice.

- Distributes power to 24 outlets arranged in two banks
- Remote monitoring and control via SNMP, Web or Telnet
- Displays load for either outlet bank or both banks combined in real time
- Perfect for rackmount server, network and telecom applications

SEE NEXT PAGE FOR DETAILED UNIT MEASUREMENTS



1111 W. 35th Street
Chicago, IL 60609 USA
773.869.1234
www.tripplite.com



MODEL:
PDUMV32HVNET



1111 W. 35th Street
Chicago, IL 60609 USA
773.869.1234

www.triplite.com

Dimensions: [mm] INCHES

Tripp Lite has a policy of continuous improvement. Specifications are subject to change without notice.