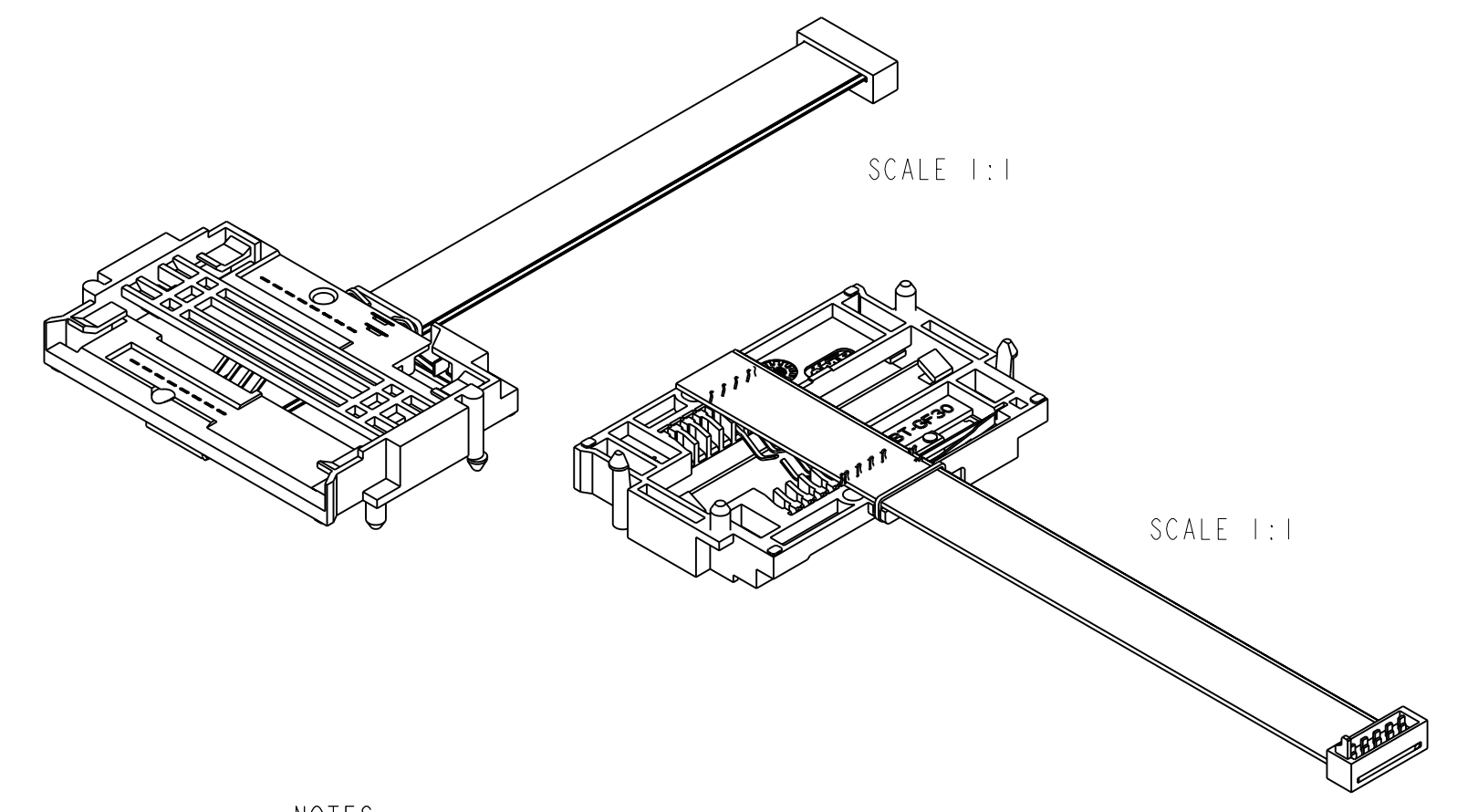
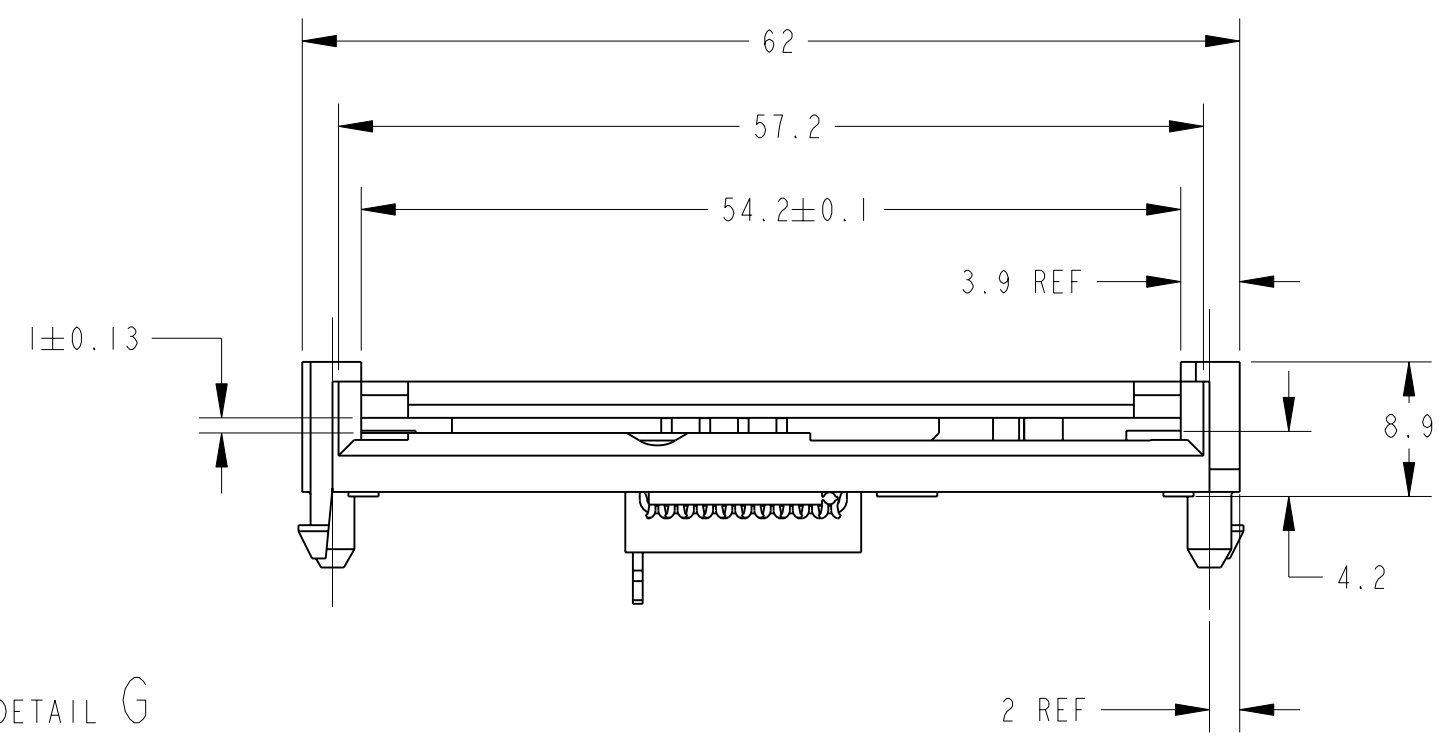
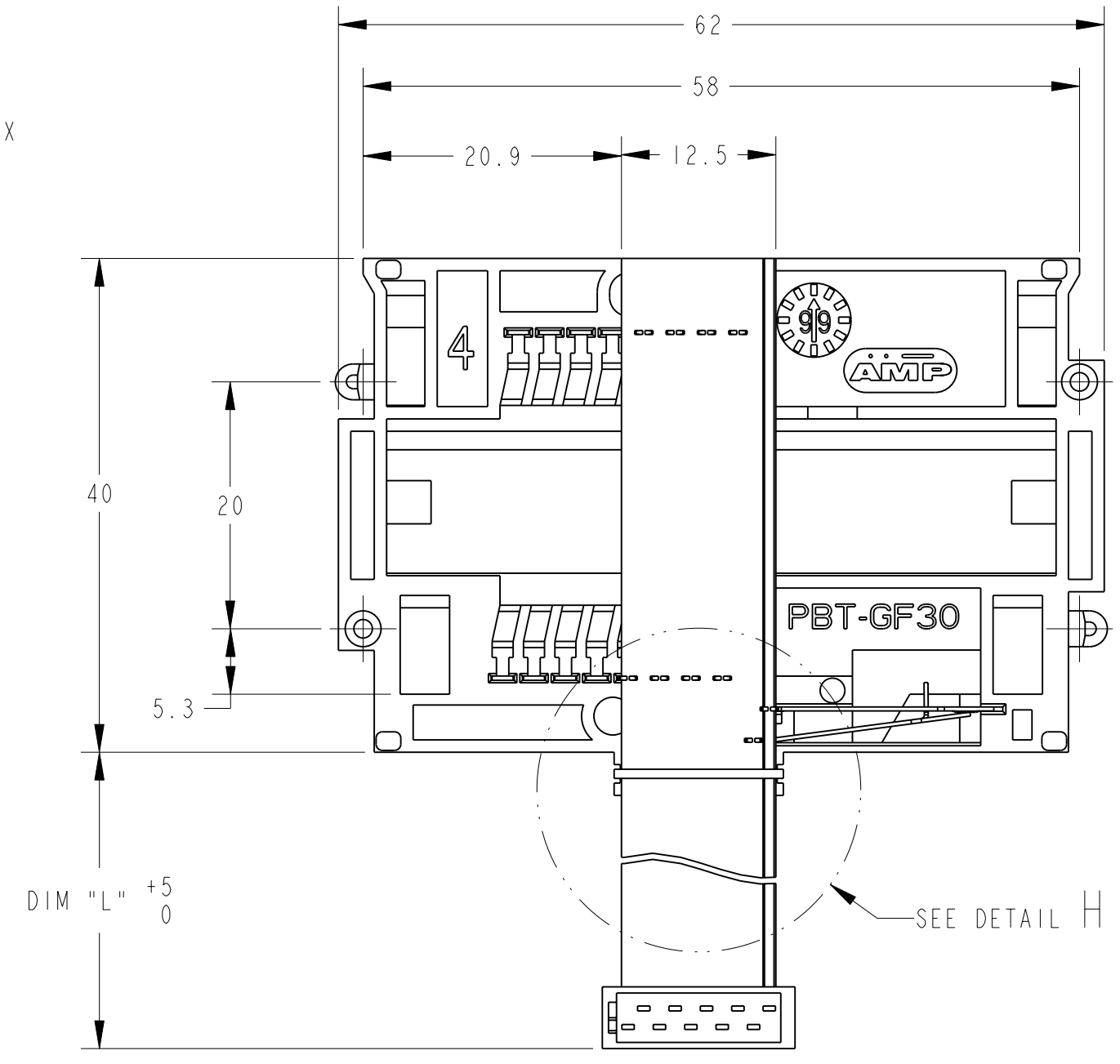
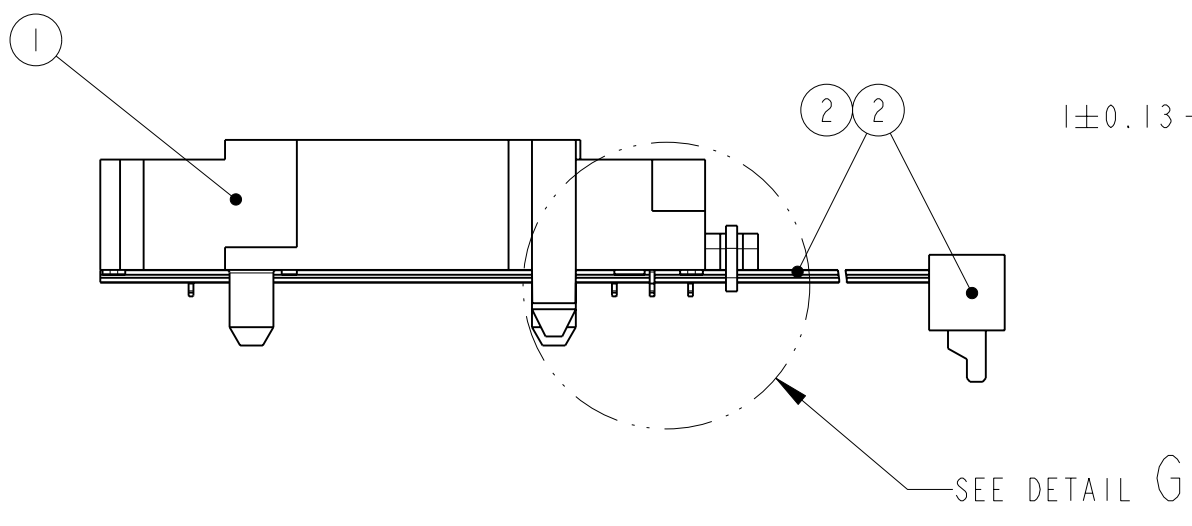
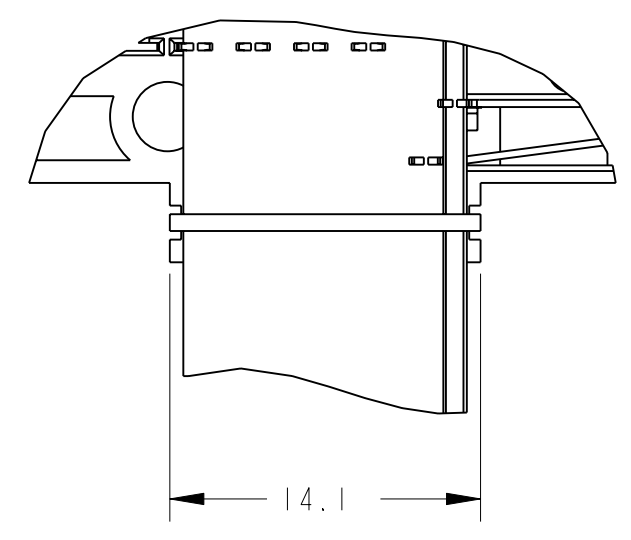
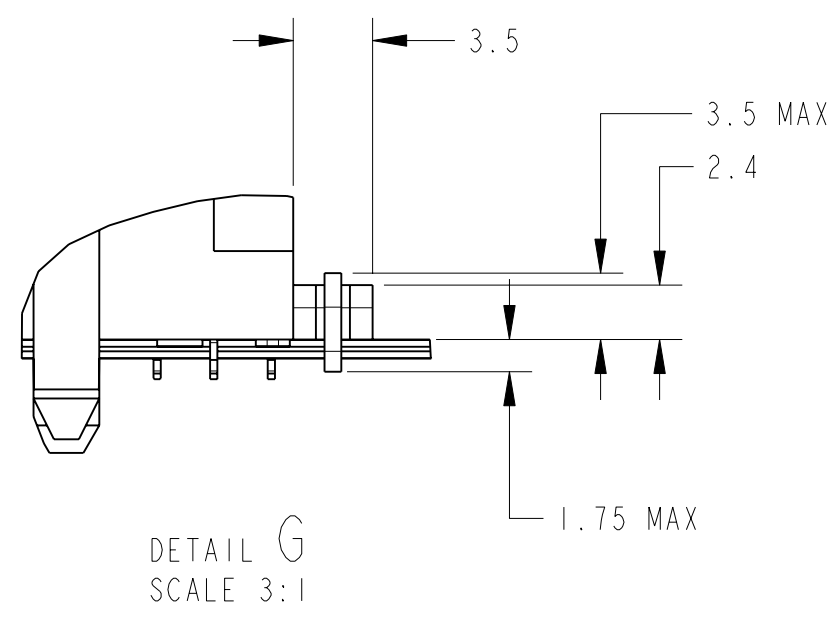


THIS DRAWING IS UNPUBLISHED. RELEASED FOR PUBLICATION  
 © COPYRIGHT - ALL RIGHTS RESERVED.

LOC	DIST	REVISIONS					
		P	LTR	DESCRIPTION	DATE	DWN	APVD
IR	-	A		EH10-0478-04	30NOV2004	RC	PJ
		B		ECR-09-024818	12 NOV 2009	GG	PCH
		BI		ECR-11-004915	08 MAR 2011	GG	PKS



NOTES:

CONTACTS PLATING :

- 1 OVERALL: Ni 2µm MIN, ALL OVER THE CONTACTS.
- 2 SOLDER ZONE: Sn 2.5µm MIN ON THE SOLDER ZONE OF THE CONTACTS.
- 3 MATING ZONE: PLATING CONFIRMS TO PRODUCT REQUIREMENTS AS PER SPECIFICATION 108-15174.

MATERIAL :

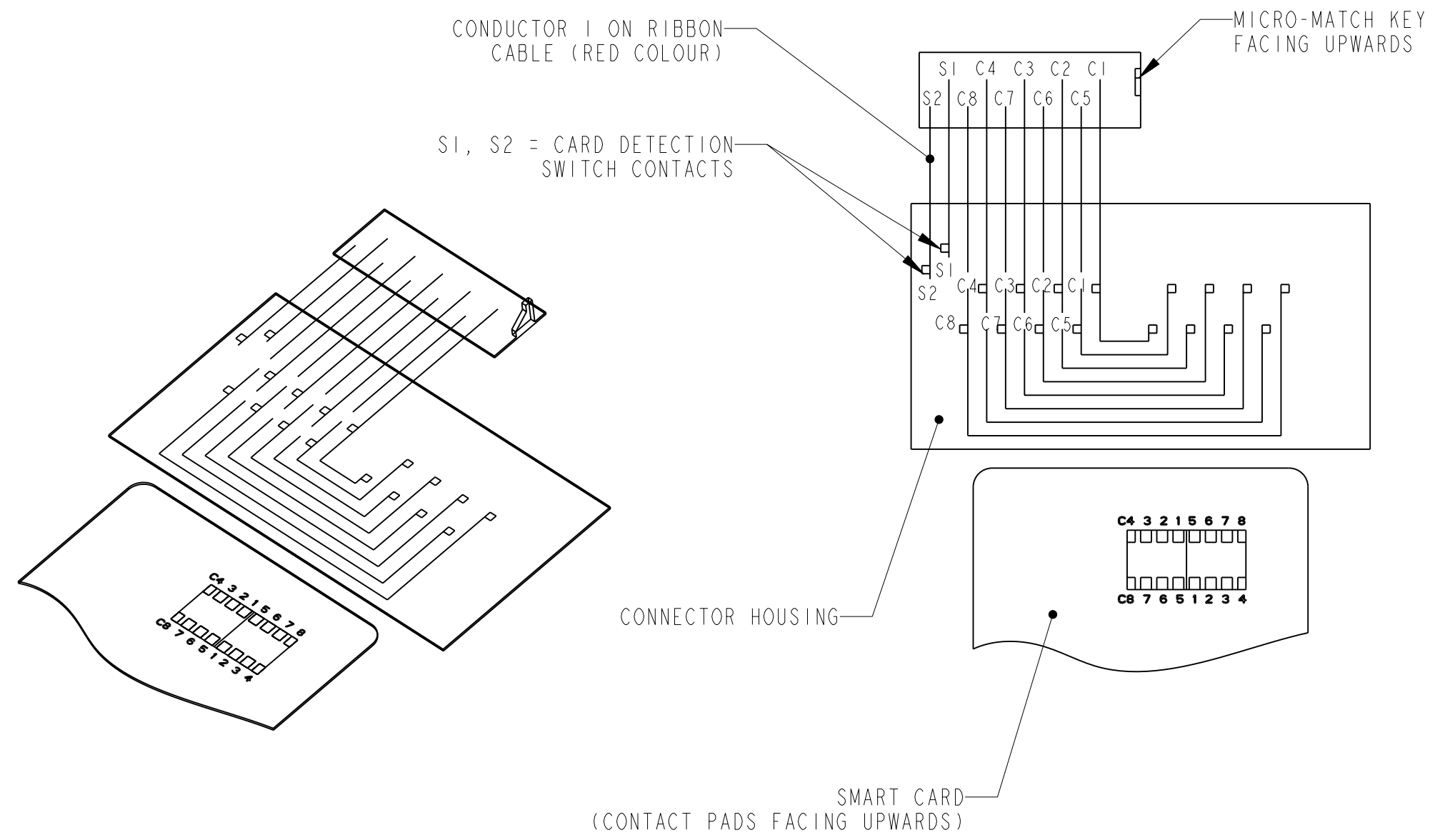
- 1 HOUSING: PBT-GF, BLACK UL 94V0.
- 2 CONTACTS: PHOSPHOR BRONZE.
- 3 TE SMART CARD RECEPTACLE DESIGNED TO ACCEPT ISO 7810-7816 TYPE INTEGRATED CIRCUIT SMART CARDS (0.76MM REF. THICKNESS) SEE SHEET 2/2
- 4 UL STYLE 2651 RIBBON CABLE AND, 10 POSITIONS MICRO-MATCH CONNECTOR; TO BE MATED WITH 1-215079-0 THROUGH HOLE VERSION OR 1-188275-0 SMT VERSION.

ASS'Y P/N	5	4	3	2	1	DESCRIPTION	ITEM
						FERRITE CORE (SEE SHEET 2)	3
						RIBBON CABLE ASS'Y, L = 80mm	2
						RIBBON CABLE ASS'Y, L = 150mm	2
						RIBBON CABLE ASS'Y, L = 305mm	2
						RIBBON CABLE ASS'Y, L = 100mm	2
						SMART CARD READER ASS'Y 8 POS. WITH METAL STRAIN RELIEF	1
ASS'Y P/N 5953131	-5	-4	-3	-2	-1	DESCRIPTION	ITEM
Qty per ASS'Y							

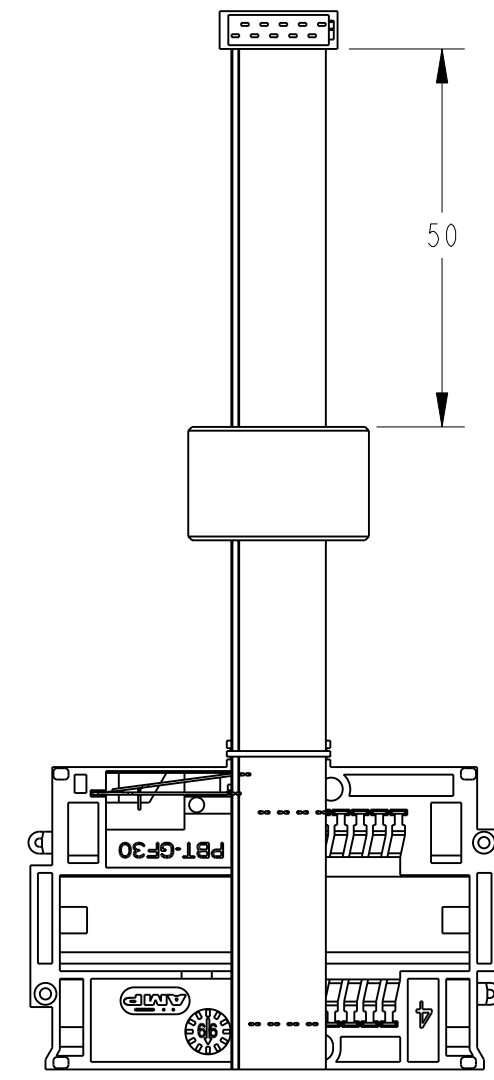
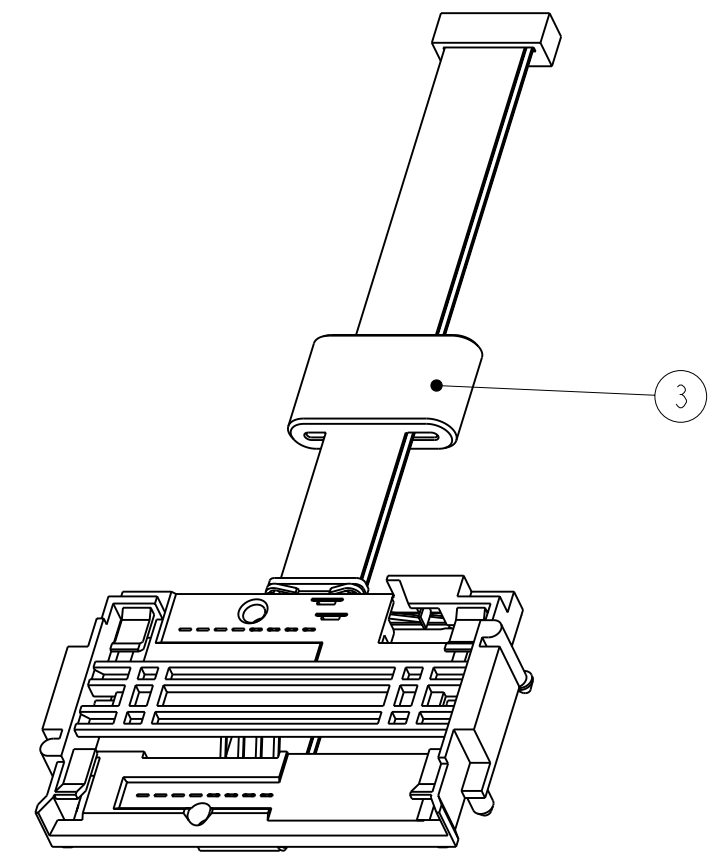
THIS DRAWING IS A CONTROLLED DOCUMENT.		DWN R. Coolen	30-Nov-04	TE Connectivity	
DIMENSIONS: mm		CHK W. Jansen			
TOLERANCES UNLESS OTHERWISE SPECIFIED:		APVD P. Jaeger		NAME	
0 PLC ±0,3		PRODUCT SPEC	108-15174	SMART CARD READER WITH RIBBON CABLE 8 POSITIONS	
1 PLC ±0,3		APPLICATION SPEC		SIZE	A2
2 PLC ±0,3		WEIGHT		CAGE CODE	
3 PLC ±				DRAWING NO	C-5953131
4 PLC ±				RESTRICTED TO	
ANGLES ±				SCALE	2:1
FINISH				SHEET	1 OF 2
MATERIAL				REV	BI

THIS DRAWING IS UNPUBLISHED. RELEASED FOR PUBLICATION  
 © COPYRIGHT - ALL RIGHTS RESERVED.

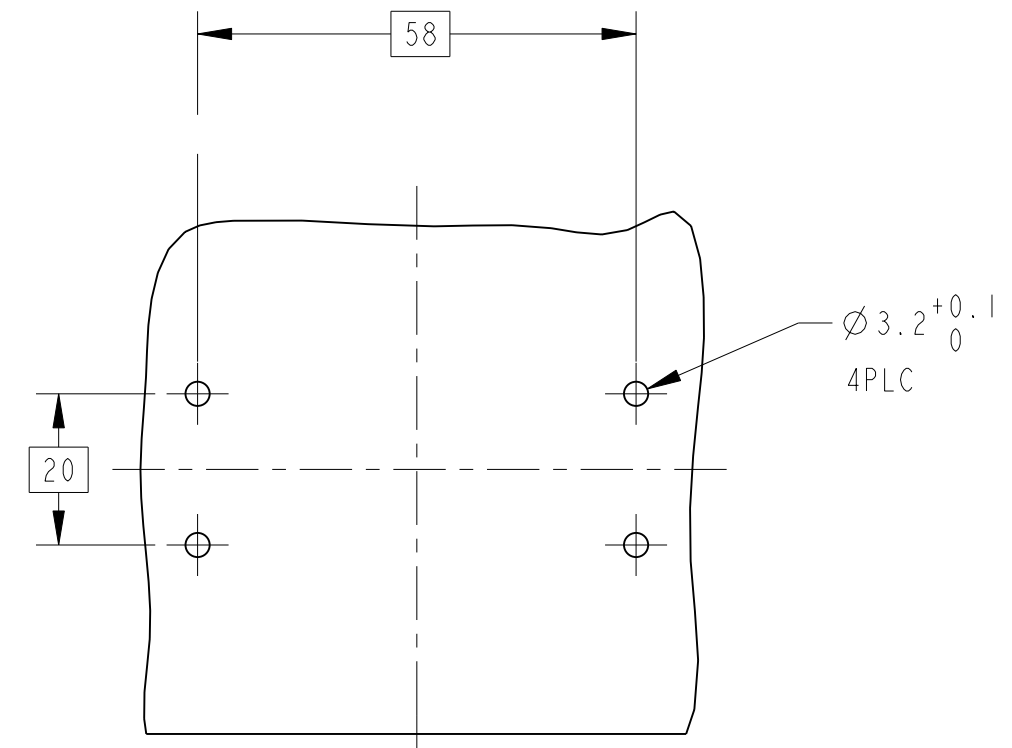
LOC	DIST	REVISIONS					
1R	-	P	LTR	DESCRIPTION	DATE	DWN	APVD
		-		SEE SHEET 1			



**ELECTRICAL DIAGRAM**



PN 5953131-5 AS SHOWN



**RECOMMENDED LAYOUT**  
 CONNECTOR SIDE  
 BOARD THICKNESS = 1.57mm  
 POSITION TOLERANCE FOR ALL HOLES  $\varnothing 0.1$

THIS DRAWING IS A CONTROLLED DOCUMENT.		DWN R. Coolen	30-Nov-04	<b>STE</b> TE Connectivity	
DIMENSIONS: mm		CHK W. Jansen			
TOLERANCES UNLESS OTHERWISE SPECIFIED:		APVD P. Jaeger		NAME SMART CARD READER WITH RIBBON CABLE 8 POSITIONS	
0 PLC ±0,3		PRODUCT SPEC		SIZE A2	CAGE CODE
1 PLC ±0,3		APPLICATION SPEC		DRAWING NO C-5953131	RESTRICTED TO
2 PLC ±0,3		WEIGHT		SCALE 2:1	SHEET 2 OF 2
3 PLC ±		CUSTOMER DRAWING		REV B1	
4 PLC ±					
ANGLES ±					
FINISH					