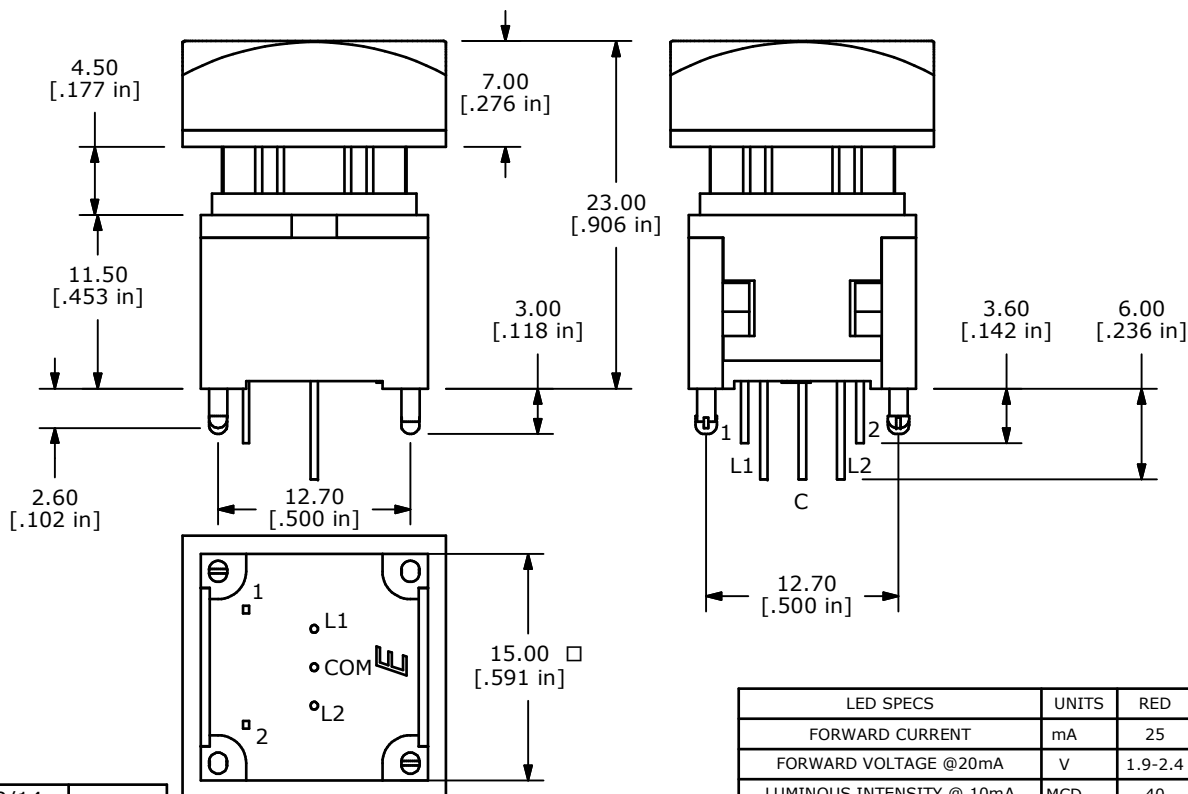
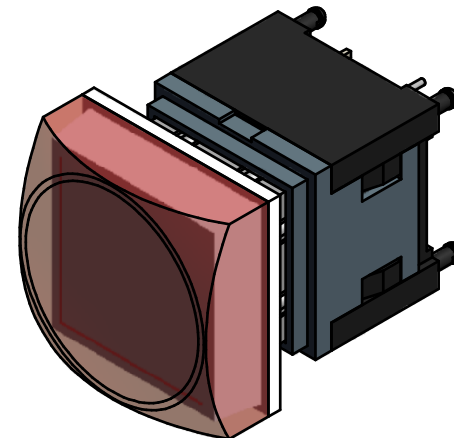
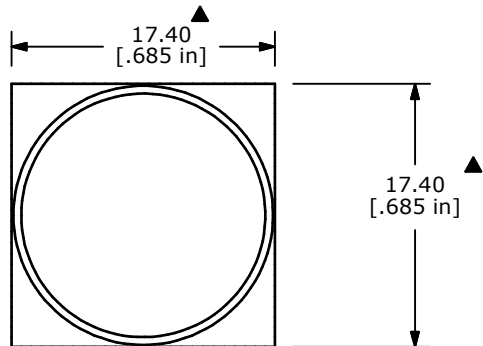


NOTES:

1. ALL DIMENSIONS IN MM [INCH]
2. GENERAL TOLERANCE: X.X=±0.4
X.XX=±0.25
3. TERM. NOS. FOR REFERENCE ONLY.
4. RATING: 12VDC, 100mA
5. CONTACT MATERIAL: GOLD PLATED
6. CONTACT RESISTANCE: 200 MILLI-OHM MAX.
7. INSULATION RESISTANCE: 500VDC, 100 MEGA-OHM MIN.
8. OPERATING FORCE: 250±100GF
9. MECHANICAL LIFE: 1,000,000 CYCLES
10. OPERATING TEMP: -20°C TO +70°C
- ▲11. LED COLORS: RED-GREEN
12. TRAVEL: 4.50mm±0.20
13. 2002/95/EC (ROHS) COMPLIANT
14. ▲ DENOTES CRITICAL PARAMETER.
- ▲15. SWITCH HAS TACTILE FEEDBACK WHEN ACTUATED.



| LED SPECS | UNITS | RED | GREEN |
|---------------------------|-------|---------|---------|
| FORWARD CURRENT | mA | 25 | 25 |
| FORWARD VOLTAGE @20mA | V | 1.9-2.4 | 2.0-2.4 |
| LUMINOUS INTENSITY @ 10mA | MCD | 40 | 250 |

| REV | PCR NO | DESCRIPTION | DATE | BY |
|-----|--------|---------------------------------|----------|-----|
| D | 21454 | CHANGE CONTACT MATERIAL TO GOLD | 5/13/14 | EBP |
| C | 19357 | UPDATE HOUSING, COVER, PLUNGER | 11/08/10 | BMA |
| B | 18254 | description was LP210A1NCSRG | 9/19/08 | rc |
| A | 18231 | New Release | 9/2/08 | rc |



TITLE LP110A1TCSR

| | | | | |
|-------|----------|----|---------|-----|
| SCALE | DATE | DR | DWG | REV |
| 2=1 | 9/2/2008 | rc | B231005 | D |

THE INFORMATION CONTAINED IN THIS DOCUMENT IS PROPRIETARY TO E-SWITCH AND IS NOT TO BE COPIED OR TRANSFERRED