

SUMMARY

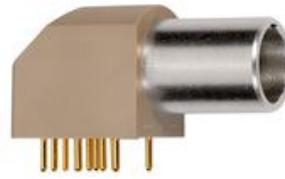


Image is for illustrative purpose only

Wires

Low	7
High	0
Coax	0
Triax	0
Quad	0
Fiber	0
Fluidic	0

Series	1B
Termination type	Female print PCB
IP rating	50
Cable Ø	0.00 - 0.00 mm
Matching parts	FGG.1B.307.CLAD62Z
Status	
Alternative part	

Download

- [Request a quote](#)
- [PCB Eagle Pattern](#)
- [PCB Altium Pattern](#)
- [Catalog](#)

TECHNICAL DETAILS

Mechanics

Shell Style/Model	EP*: Elbow receptacle for printed circuit (solder or screw fixing)
Keying	1 key (alpha=0, plug: male contacts, receptacle: female contacts)
Housing Material	PPS (Polyphenylene) shell, other pieces nickel plated brass
Cable Fixing	∅ 0 - 0 mm
Variant	

Performance

Configuration	1B.307/EPG : 7 Low Voltage
Insulator	L: PEEK (UL 94 / V-0/3.2, depends on material thickness)
Rated Current	6 Amps

Specifications

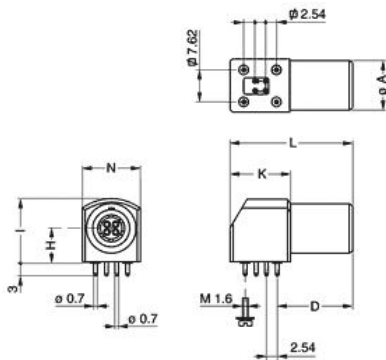
Contact Type: Print (straight)
Max. Matings: 5000
Contact Dia.: 0.7 mm (0.028in)
R (max): 6.1 mOhm
Vtest (contact-shell): 1050 V (AC), 1490 V (DC)
Vtest (contact-contact): 950 V (AC), 1340 V (DC)

Others

Temp (min / max): -55°C / +250°C
Humidity (max): ≤95% [at 60 deg C / 140 F]
Vibration: 15 g [10 Hz - 2000 Hz]
Shock Resistance: 100 g [6 ms]
Salt Spray Corrosion: >1000 hr
Climatical Category: 50/175/21
Shielding (min): 75 dB (10 MHz)
Shielding (min): 40 dB (1 GHz)
IP Rating: 50

DRAWINGS

Draws



Dimensions

	A	D	H	I	K	L	N	R
mm.	11	16.6	7.5	14	13.3	27	12.6	7.62
in.	0,43	0,65	0,30	0,55	0,52	1,06	0,50	0,30

RECOMMENDED BY LEMO

Tools

Positionner: DCE.91.071.BVM

Cables