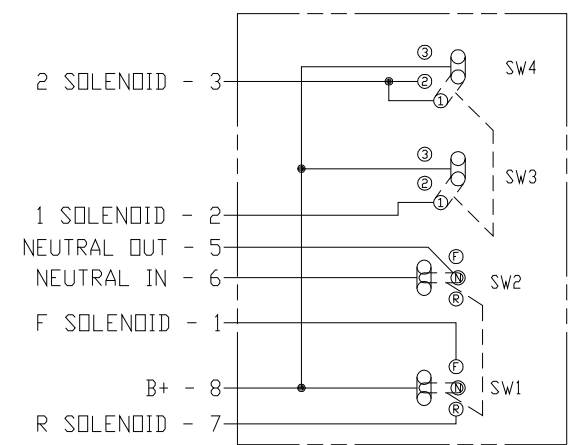
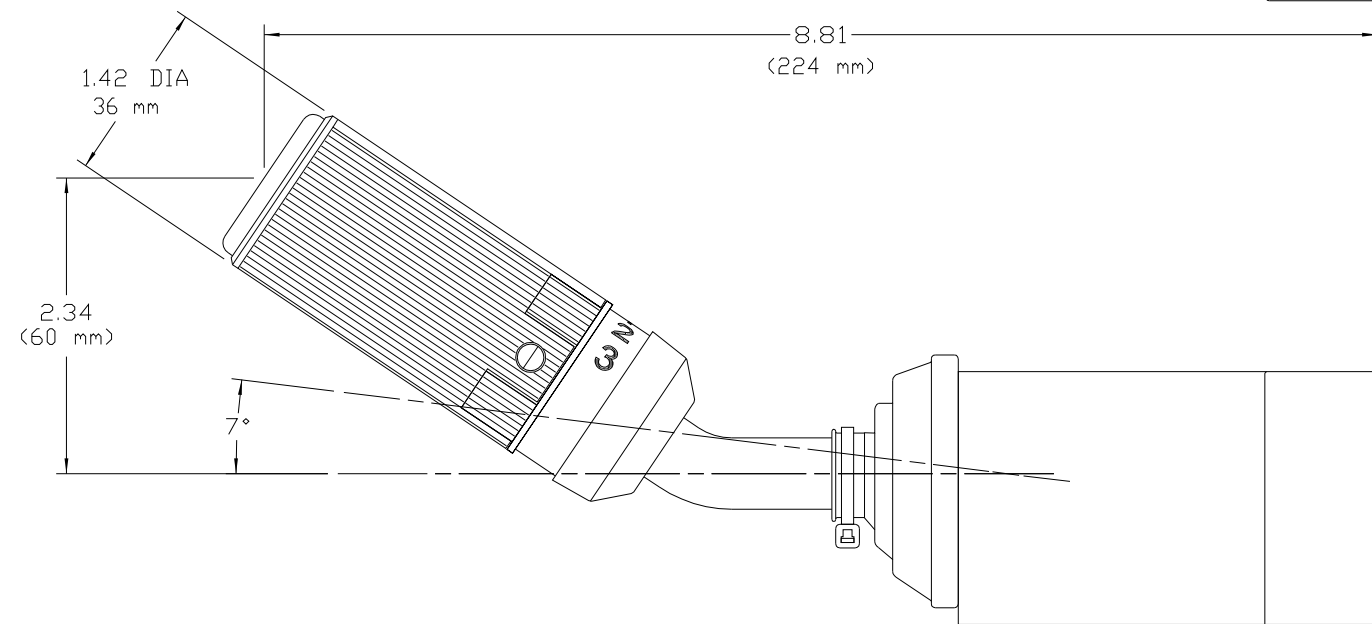
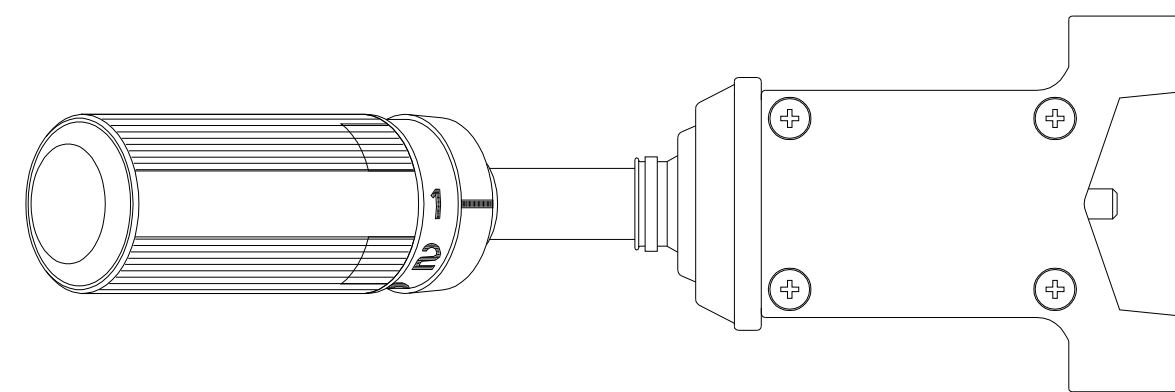


PART NUMBER		81485		REV.		D	
SHEET 2 OF 2		M		D			
DESCRIPTION OF CHANGE							
APPD.	REV.	DATE	PCN NO.	BY			
	D	20May03	33582	RF			
RELEASED FOR PRODUCTION							



ELECTRICAL SCHEMATIC SHOWN IN NEUTRAL

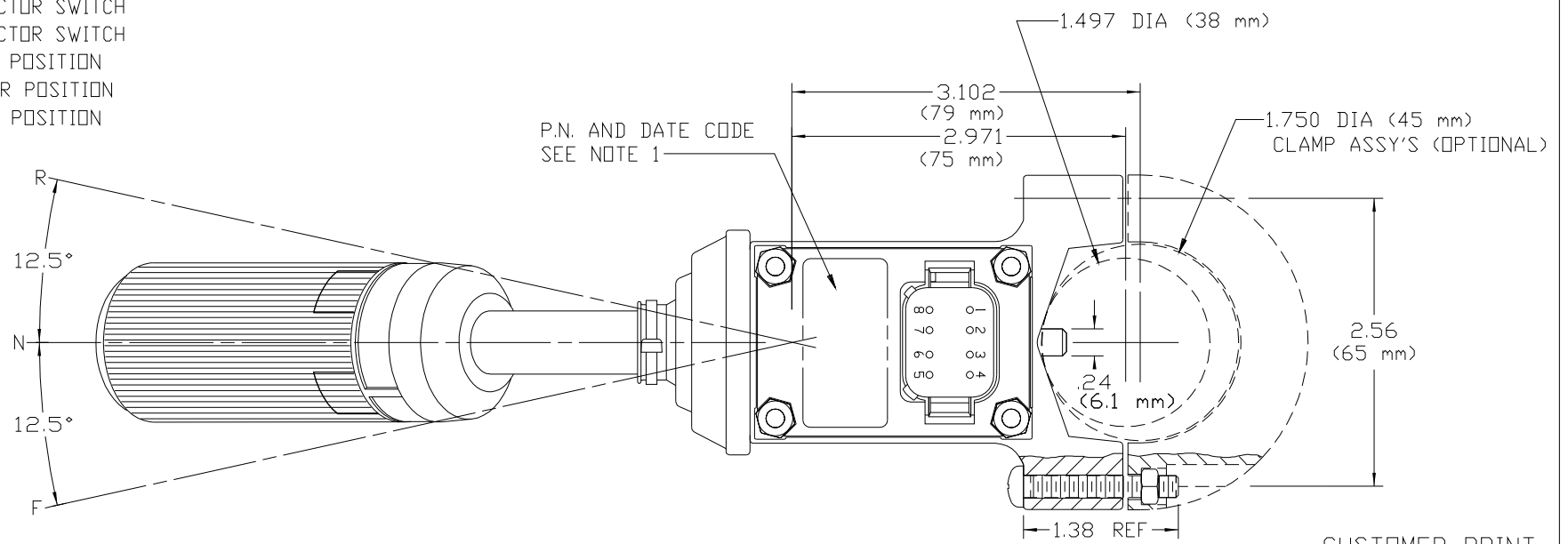
LEGEND

- |     |                           |     |                       |
|-----|---------------------------|-----|-----------------------|
| F   | FORWARD POSITION          | SW3 | SPEED SELECTOR SWITCH |
| N   | NEUTRAL POSITION          | SW4 | SPEED SELECTOR SWITCH |
| R   | REVERSE POSITION          | 1   | FIRST GEAR POSITION   |
| SW1 | DIRECTION SELECTOR SWITCH | 2   | SECOND GEAR POSITION  |
| SW2 | DIRECTION SELECTOR SWITCH | 3   | THIRD GEAR POSITION   |

CUSTOMER: \_\_\_\_\_  
 APPROVED BY: \_\_\_\_\_  
 DATE: \_\_\_\_\_  
 CUSTOMER PART NO.: \_\_\_\_\_

PART NUMBER	81485
SHEET 2 OF 2	M

SEE NOTE 2



- NOTES:
- CUSTOMER OR HONEYWELL HOBBS P/N, CHANGE NO. AND DATE CODE TO BE STAMPED IN AREA SHOWN.
  - A. MATING CONNECTOR-DEUTSCH DT06-08S  
 B. CONNECTOR WEDGE-DEUTSCH W8S  
 C. CONNECTOR TERMINAL-DEUTSCH 1062-16-0122  
 OPTIONAL TERMINAL-DEUTSCH 0462-201-16141  
 D. SEALING PLUG-DEUTSCH 114017

CUSTOMER PRINT

<b>Honeywell Hobbs</b> SPRINGFIELD, IL U.S.A.				NAME		SHIFTER ASSY 3X3 F-N-R SHIFTER	
DRAWN	CHECKED	CONFIDENTIAL AND PROPRIETARY INFORMATION. DIMENSIONS ARE FOR REFERENCE ONLY UNLESS OTHERWISE SPECIFIED.		NEXT ASSY.		PART NUMBER	
RF						81485	
DATE	SCALE	MATERIAL	FINISH			SHEET 2 OF 2	
25Jan96	1:1					M	
DO NOT SCALE	DKT. NO.					CAD C SIZE	