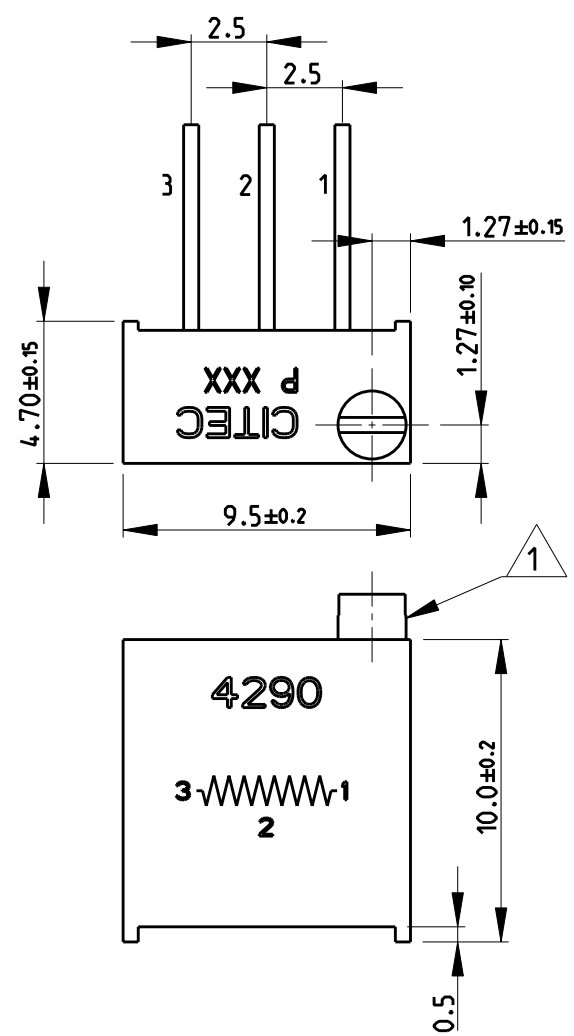
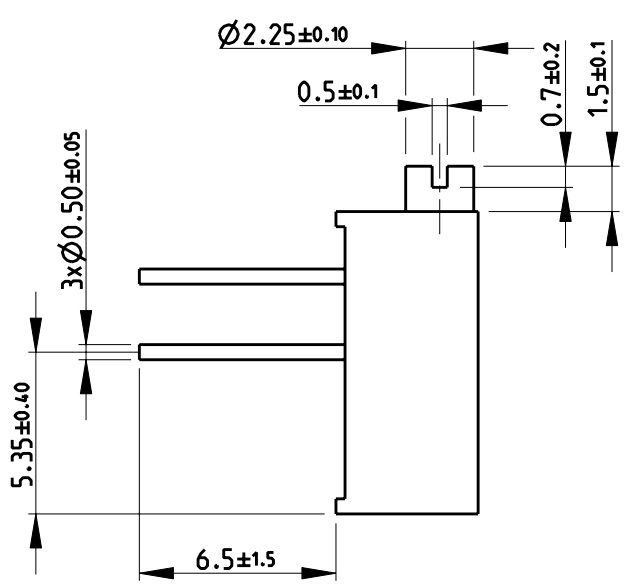
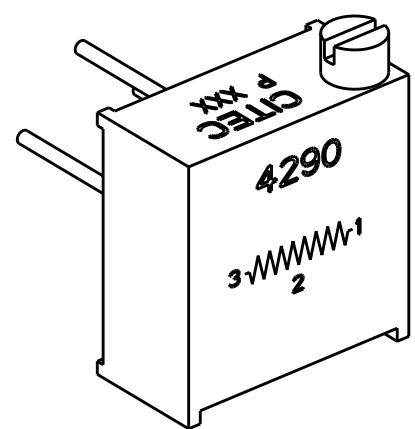
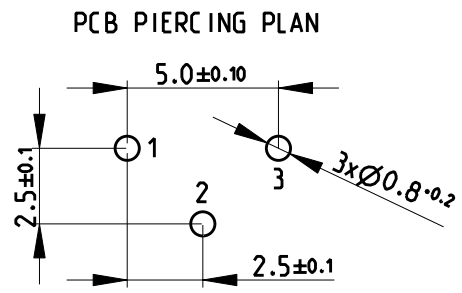


LOC	DIST	REVISIONS			DATE	DWN	APVD
E	B	P	LTR	DESCRIPTION	17-NOV-08	SM	St.P
		BA		NEW RELEASE			

RoHS Compliant



- 1 SIDE ADJUSTMENT SCREW
- 2 FOR FURTHER INFORMATION SEE DATA SHEET FOR 4290 SERIES-PROFESSIONAL TRIMMERS



2008  
 RELEASED FOR PUBLICATION  
 THIS DRAWING IS UNPUBLISHED.  
 BY TYCO ELECTRONICS CORPORATION. ALL RIGHTS RESERVED.  
 COPYRIGHT 2008

DIMENSIONS: mm	DWN	17-NOV-08	MATERIAL	-	FINISH	-
	CHK	17-NOV-08	Tyco Electronics Corporation Dorcan, Swindon, SN3 5HH			
TOLERANCES UNLESS OTHERWISE SPECIFIED:	APVD	17-NOV-08	NAME			
	STEPHEN.P		PROFESSIONAL TRIMMERS SERIES 4290P			
0 PLC ±0.2	PRODUCT SPEC	-	SIZE	CAGE CODE	DRAWING NO	RESTRICTED TO
1 PLC ±0.1	APPLICATION SPEC	-	A 4	00779	C-1623848	-
2 PLC ±-	WEIGHT	0.8g Approx.	CUSTOMER DRAWING			
3 PLC ±-			SCALE	4:1	SHEET 1 OF 1	REV BA
4 PLC ±-						
ANGLES ±5°						