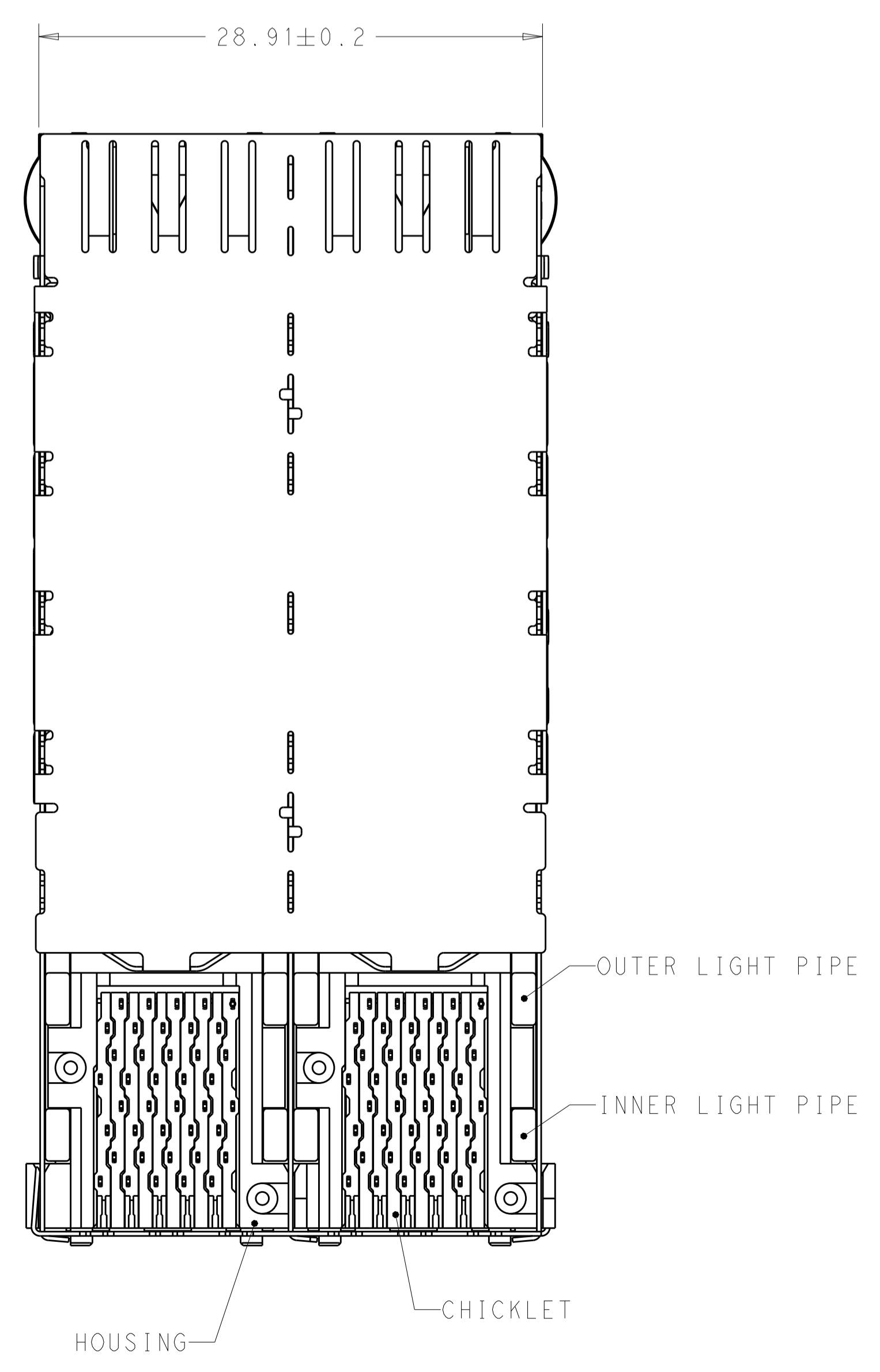
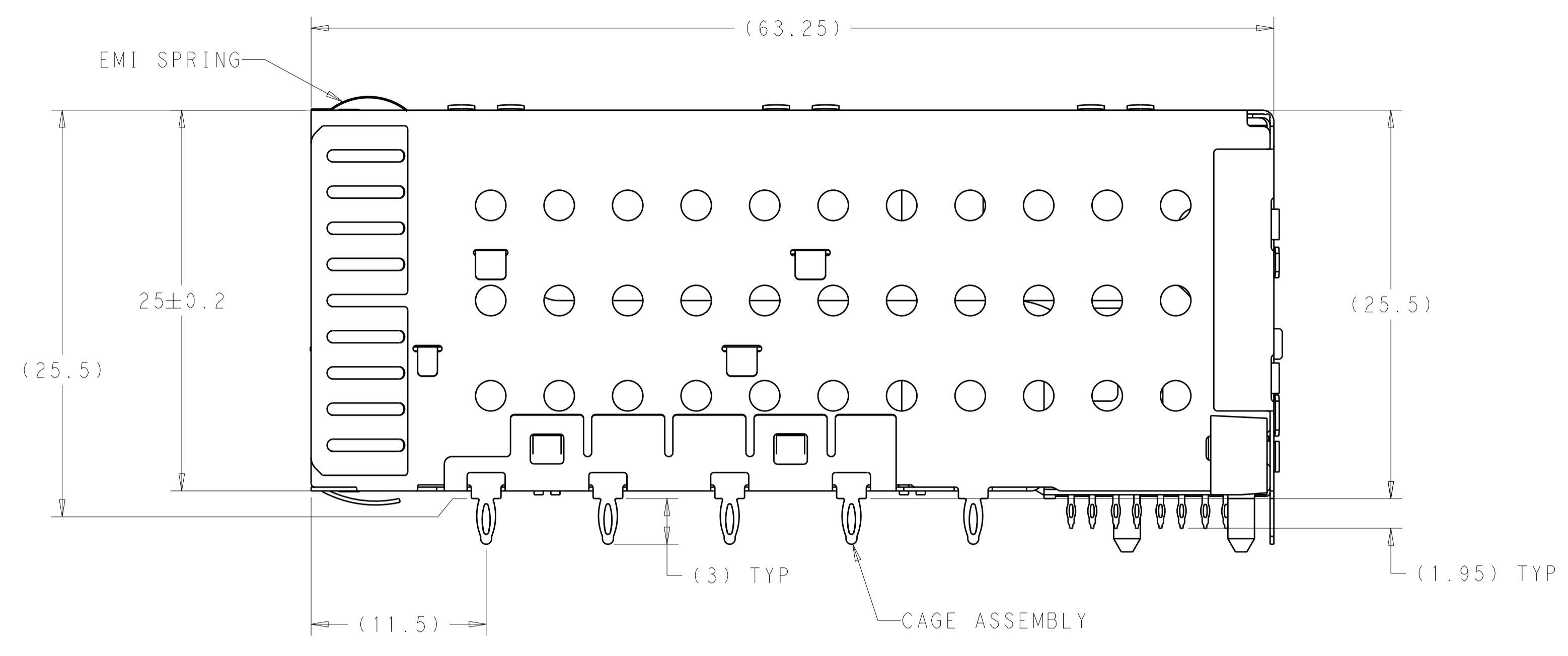
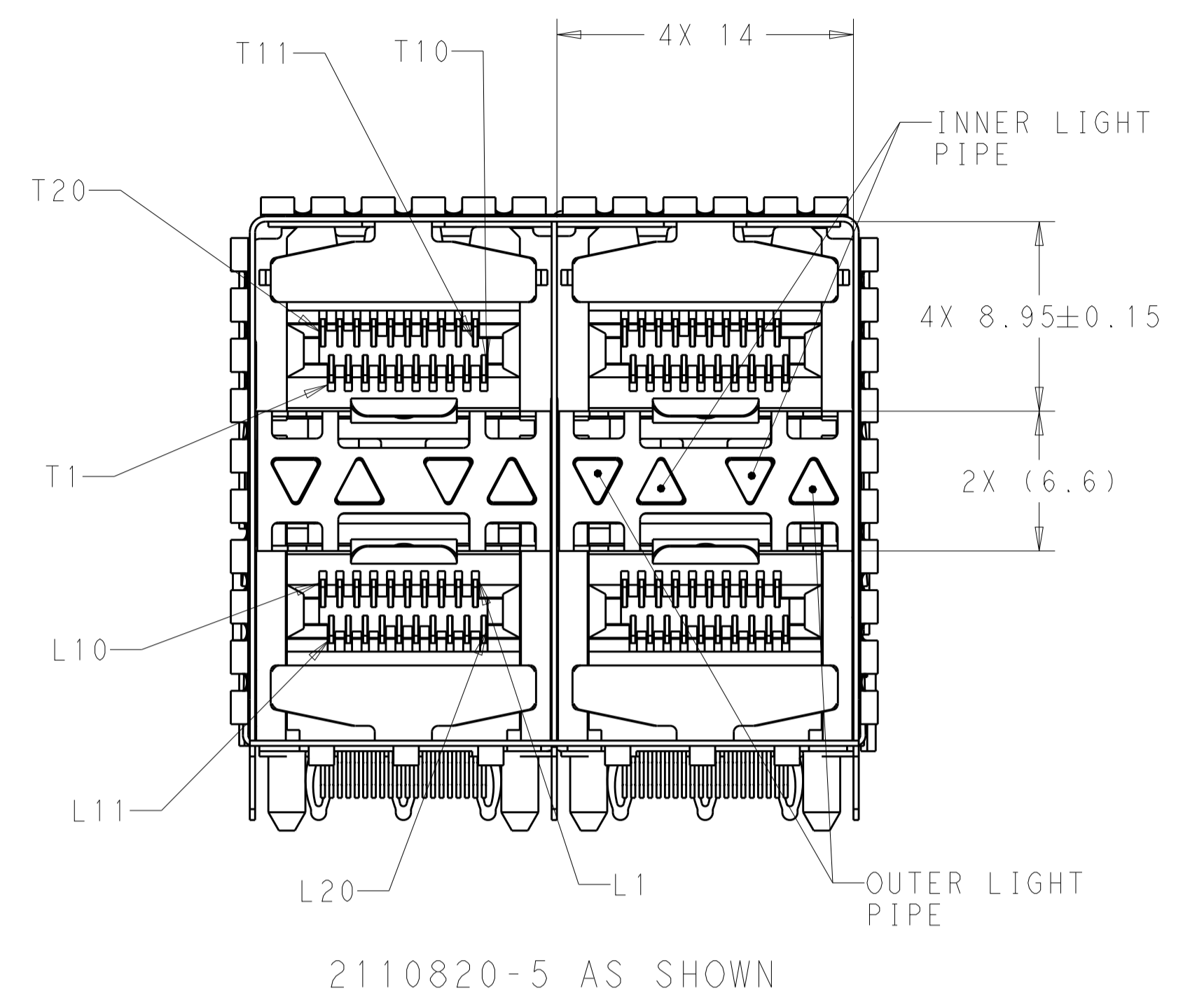


LOC		DIST		REVISIONS			
P	LTN	DESCRIPTION	DATE	DWN	APVD		
F		REVISED PER ECO-ECO-15-017919	01APR2016	AP	PR		



- △ MATERIALS:
 CAGE ASSEMBLY- NICKEL SILVER ALLOY PER ASTM B 122.
 EMI SPRING- COPPER ALLOY.
 HOUSING- BLACK LCP, UL 94V-0 RATED.
 CHICKLET- BLACK LCP, UL 94V-0 RATED.
 LIGHT PIPE- POLYCARBONATE, CLEAR.
 CONTACT- COPPER ALLOY.
- △ DATUM AND BASIC DIMENSIONS ESTABLISHED BY CUSTOMER.
- 3. MINIMUM PCB THICKNESS OF 1.575.
- △ NOTE REMOVED.
- △ CONTACT FINISH- CONFORMS TO THE REQUIREMENTS OF TE PRODUCT SPECIFICATION 108-2331, BASED ON EIA/ECA-364-1000.01A, (CONTROLLED ENVIRONMENT APPLICATIONS) ON MATING INTERFACE, TIN ON NEEDLE EYE. SURFACE TREATMENT OVER 0.76µm GOLD OVER 1.27µm MIN NICKEL.
- △ FOR HOLE SIZE AND PLATINGS, SEE APPLICATION SPEC 114-13219.
- △ THE ENTIRE AREA OF THE CONNECTOR FOOTPRINT, INDICATED BY THE DASHED LINE, TO BE CONSIDERED THE KEEPOUT AREA FOR COMPONENTS AND SIGNAL TRACES, TOP SIDE ONLY. TOP SIDE TRACES ALLOWED WITHIN CONNECTOR HOLE PATTERN.
- △ LIGHT PIPE PAD LAYOUT IS FOR 0805 LOW PROFILE LED PACKAGE.
- △ EMI SPRING FINISH: 0.8µm MINIMUM MATTE TIN OVER 0.8µm MINIMUM NICKEL, NONPLATED EDGES PERMISSIBLE.

△	NO LIGHT PIPES	2110820-8
	OUTER 2 LIGHT PIPES	2110820-7
	INNER 2 LIGHT PIPES	2110820-6
	4 LIGHT PIPES	2110820-5
OBSOLETE	NO LIGHT PIPES	2110820-4
	OUTER 2 LIGHT PIPES	2110820-3
	INNER 2 LIGHT PIPES	2110820-2
	4 LIGHT PIPES	2110820-1
FINISH	DESCRIPTION	PART NUMBER

THIS DRAWING IS A CONTROLLED DOCUMENT.

DIMENSIONS:	TOLERANCES UNLESS OTHERWISE SPECIFIED:	DWN	C. ROHLER	23JUL2009
mm	0 PLC ±0.10	CHK	M. SCHMITT	23JUL2009
	1 PLC ±0.10	APVD	M. SCHMITT	23JUL2009
	2 PLC ±0.10	PRODUCT SPEC		
	3 PLC ±0.10	108-2331		
	4 PLC ±0.10	APPLICATION SPEC		
	ANGLES ±°	114-13103		
MATERIAL	FINISH	WEIGHT		
△	△			

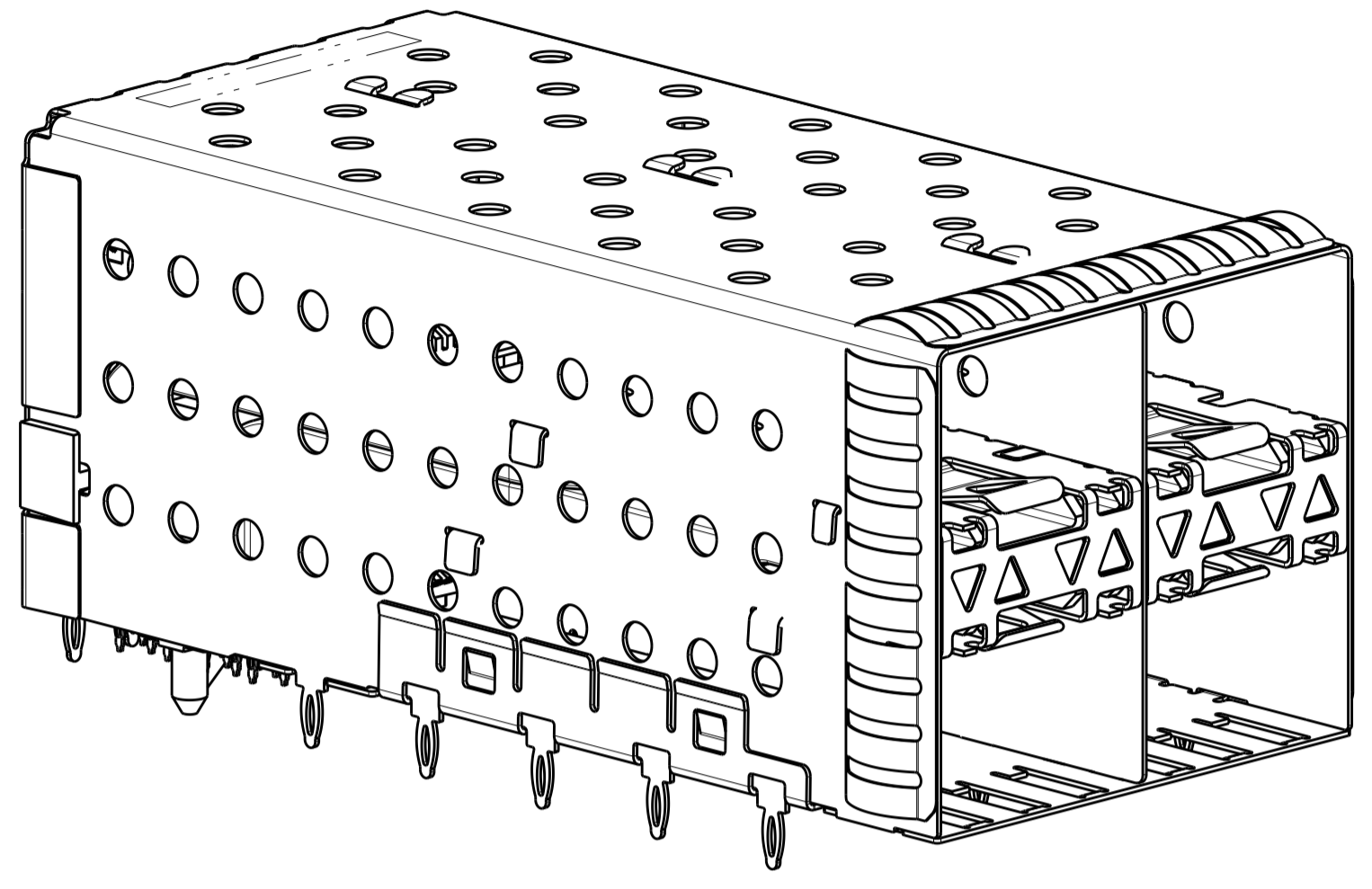
TE Connectivity

CAGE AND PT CONNECTOR ASSEMBLY, WITH EMI SPRINGS, PRESS FIT, 2X2, STACKED SFP

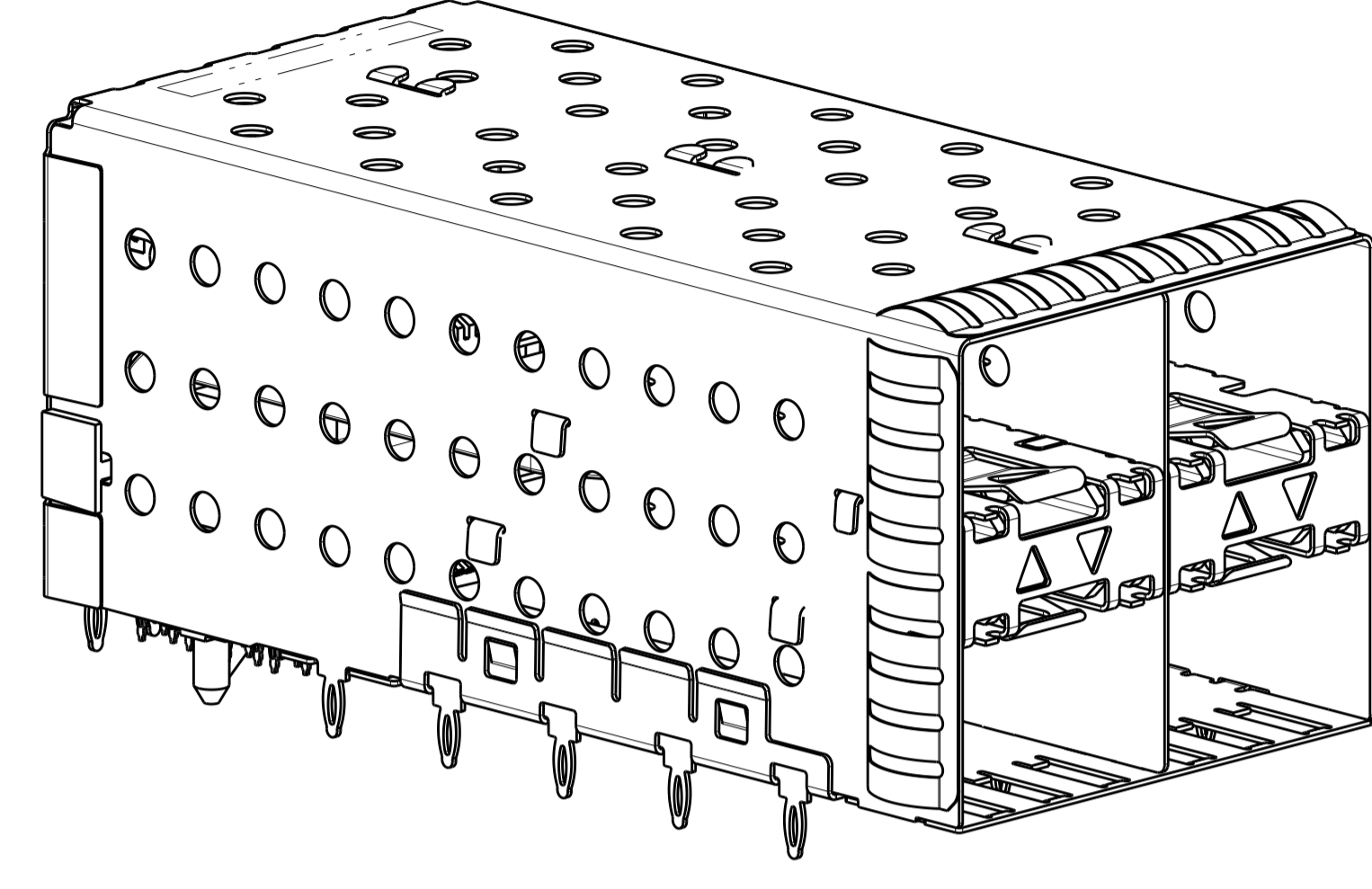
SIZE: CAGE CODE DRAWING NO: A100779 C=2110820

CUSTOMER DRAWING SCALE: 4:1 SHEET 1 OF 4 REV F

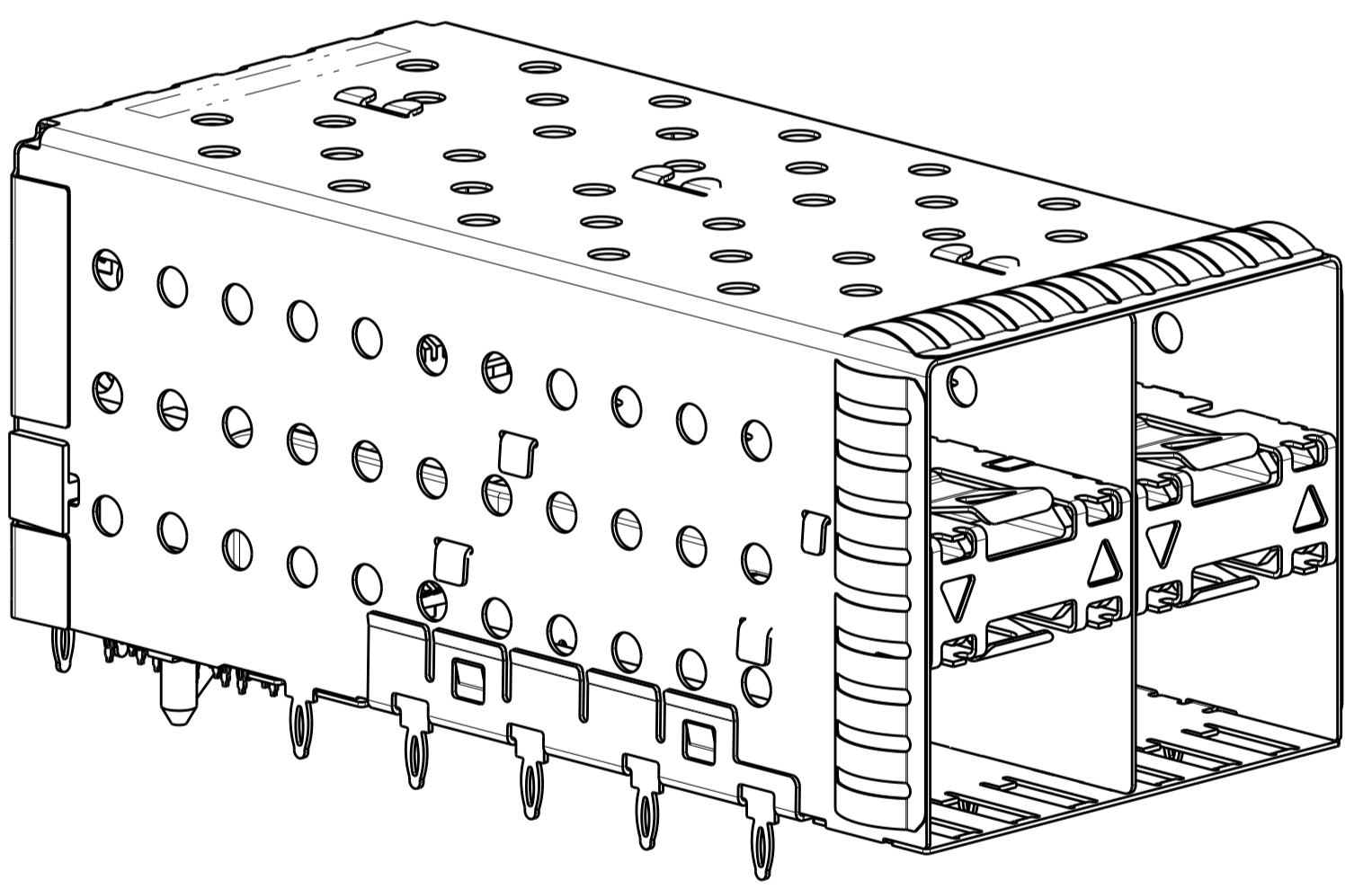
LOC	DIST	REVISIONS			
P	LTN	DESCRIPTION	DATE	DMN	APVD
GP	00	SEE SHEET 1			



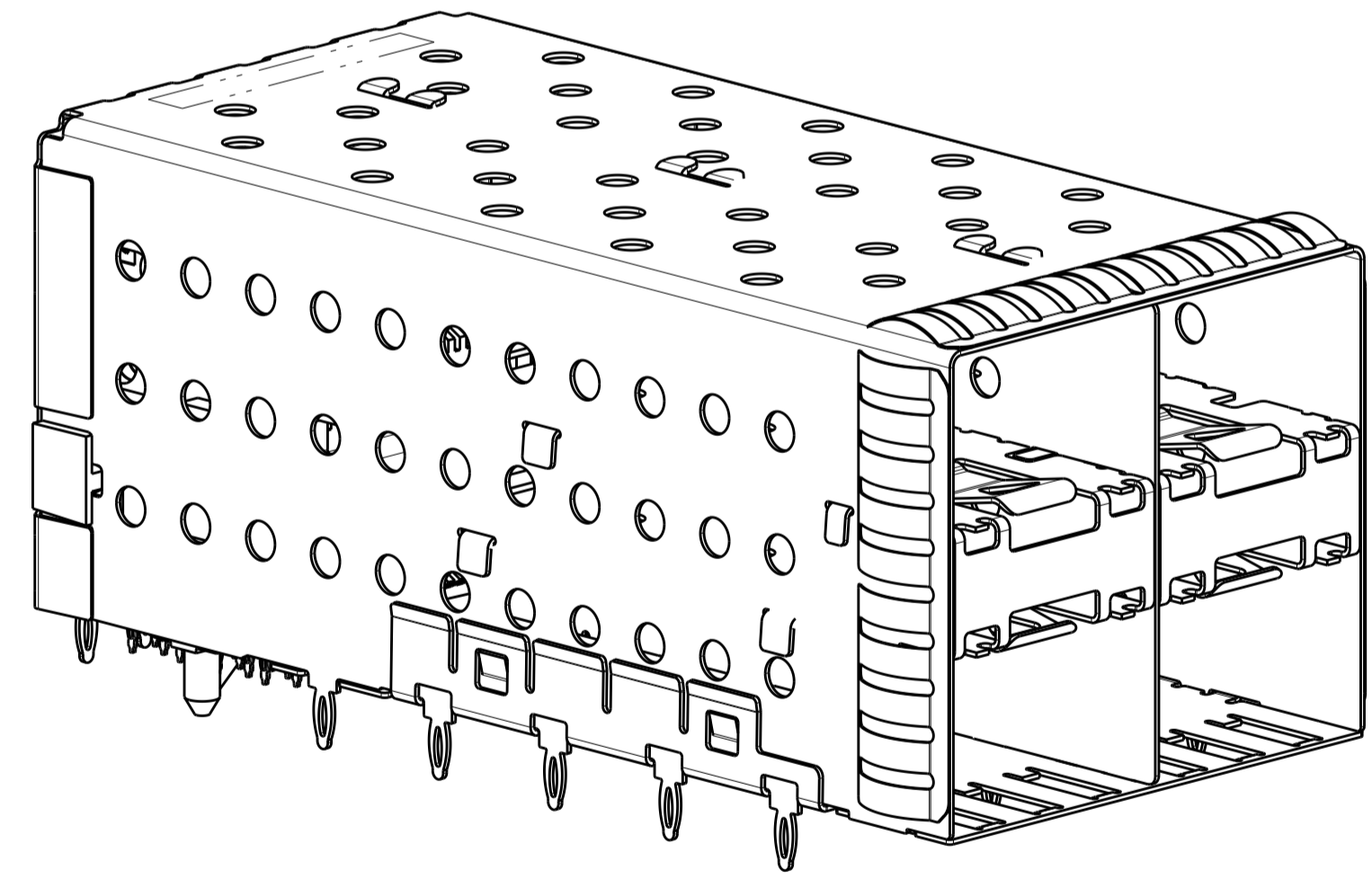
2110820-5
SCALE 3:1




2110820-6
SCALE 3:1



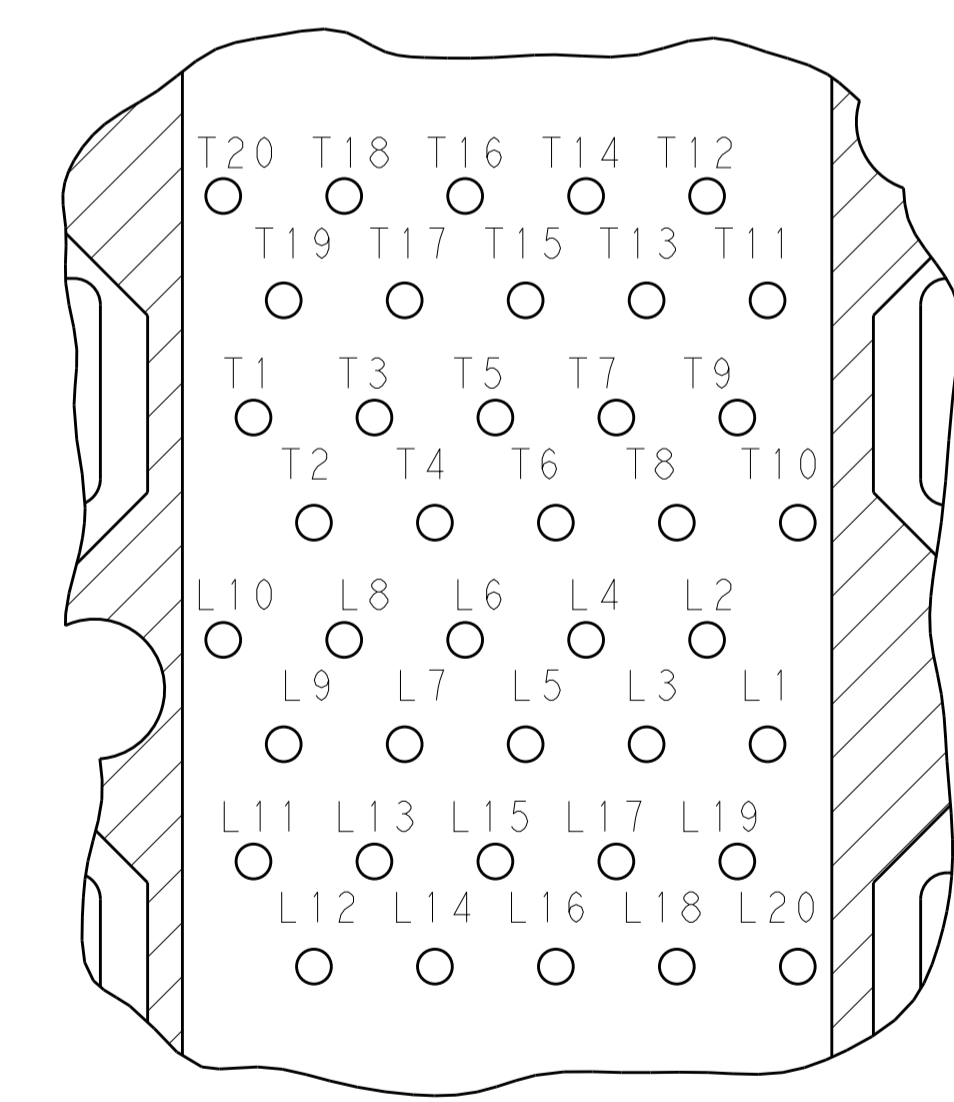
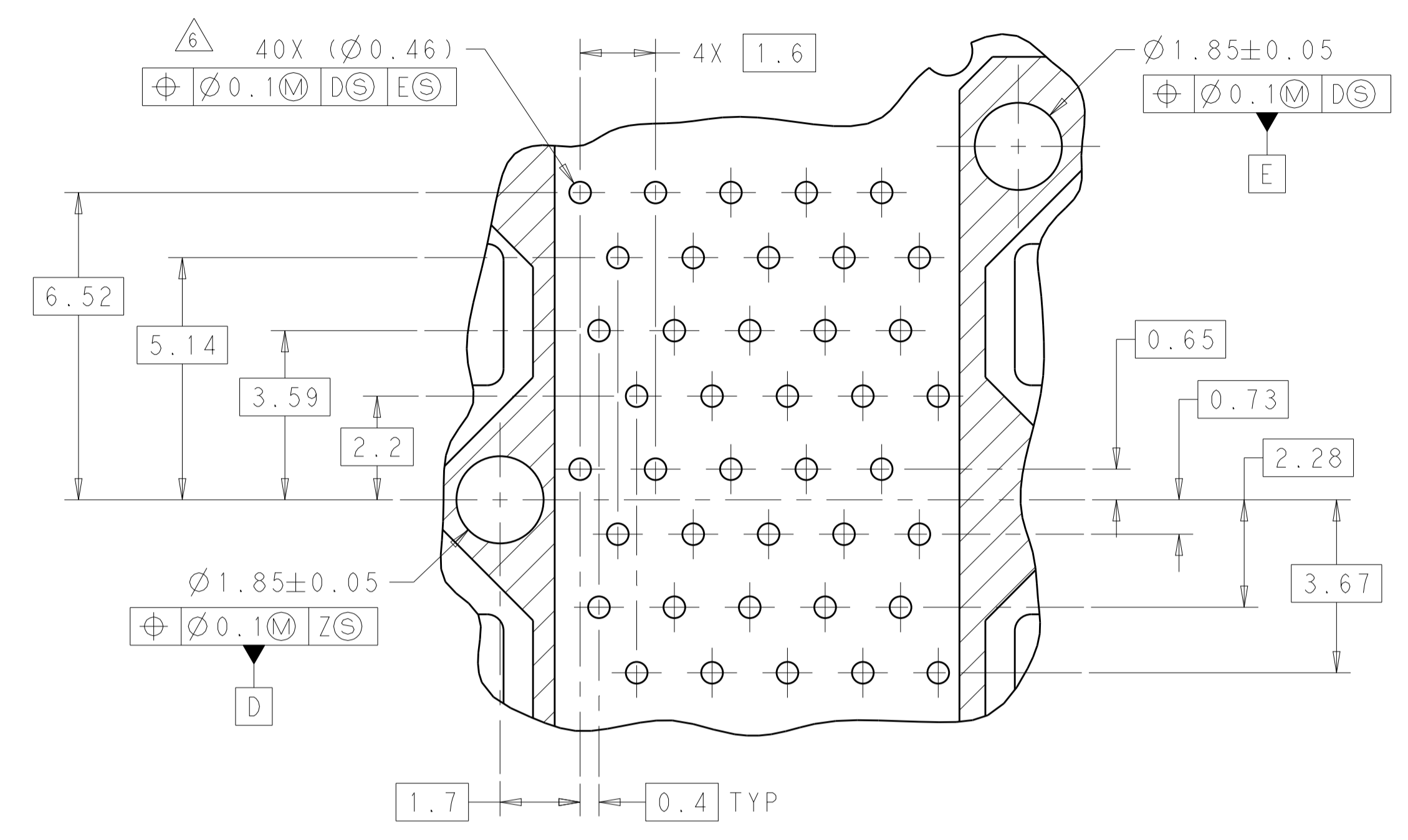
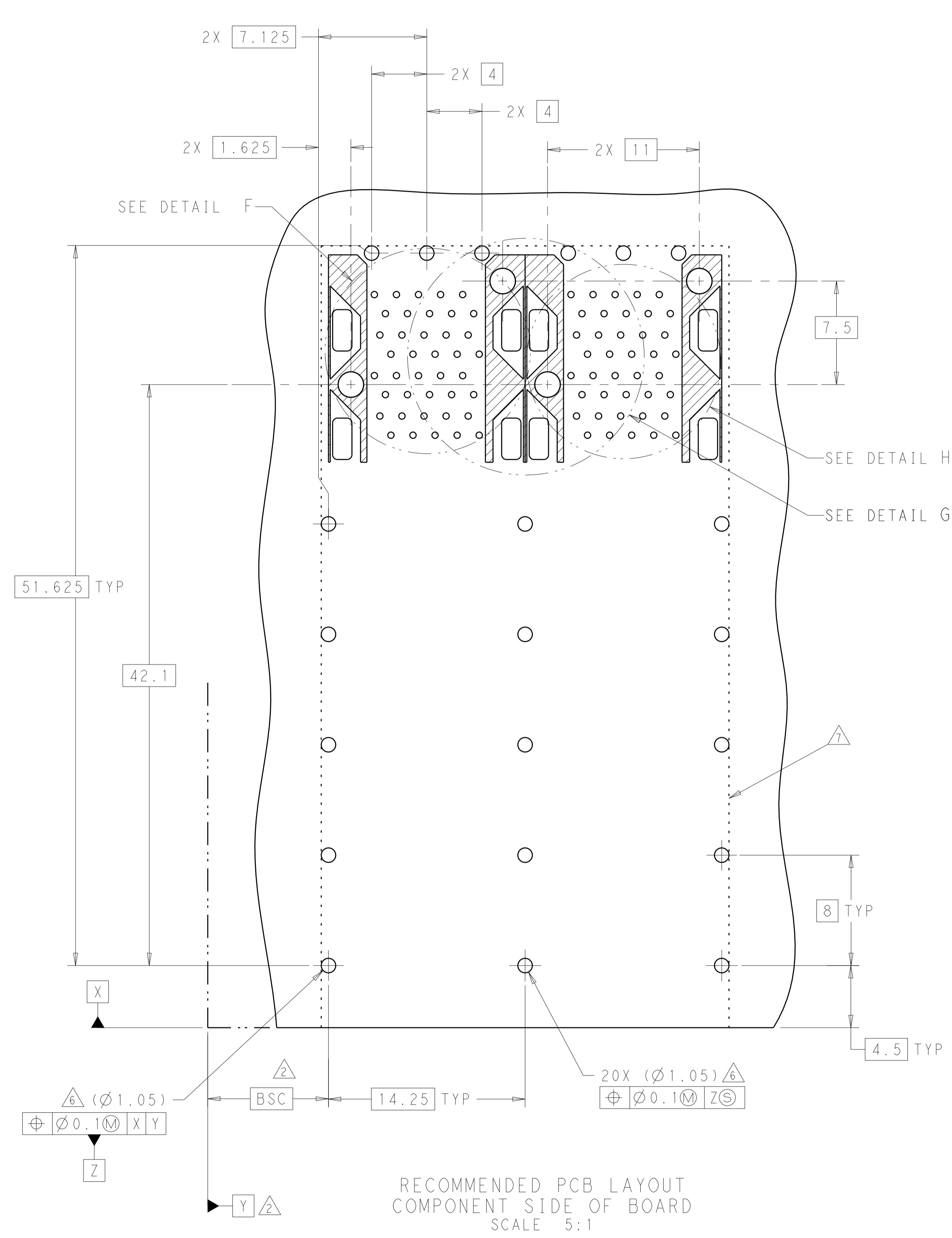
2110820-7
SCALE 3:1



2110820-8
SCALE 3:1

THIS DRAWING IS A CONTROLLED DOCUMENT.		DMN C. ROHLER 23JUL2009	 TE Connectivity
DIMENSIONS: mm		CHK M. SCHMITT 23JUL2009	
TOLERANCES UNLESS OTHERWISE SPECIFIED:		APVD M. SCHMITT 23JUL2009	NAME CAGE AND PT CONNECTOR ASSEMBLY, WITH EMI SPRINGS, PRESS FIT, 2X2, STACKED SFP
0 PLC	±0.10	PRODUCT SPEC	SIZE A100779C=2110820
1 PLC	±0.10	108-2331	RESTRICTED TO
2 PLC	±0.10	APPLICATION SPEC	
3 PLC	±0.10	114-13103	
4 PLC	±"	WEIGHT	
ANGLES			
MATERIAL	FINISH	CUSTOMER DRAWING	SCALE 4:1 SHEET 2 OF 4 REV F

LOC		DIST		REVISIONS			
GP	00	P	LTN	DESCRIPTION	DATE	DMN	APVD
		-		SEE SHEET 1			



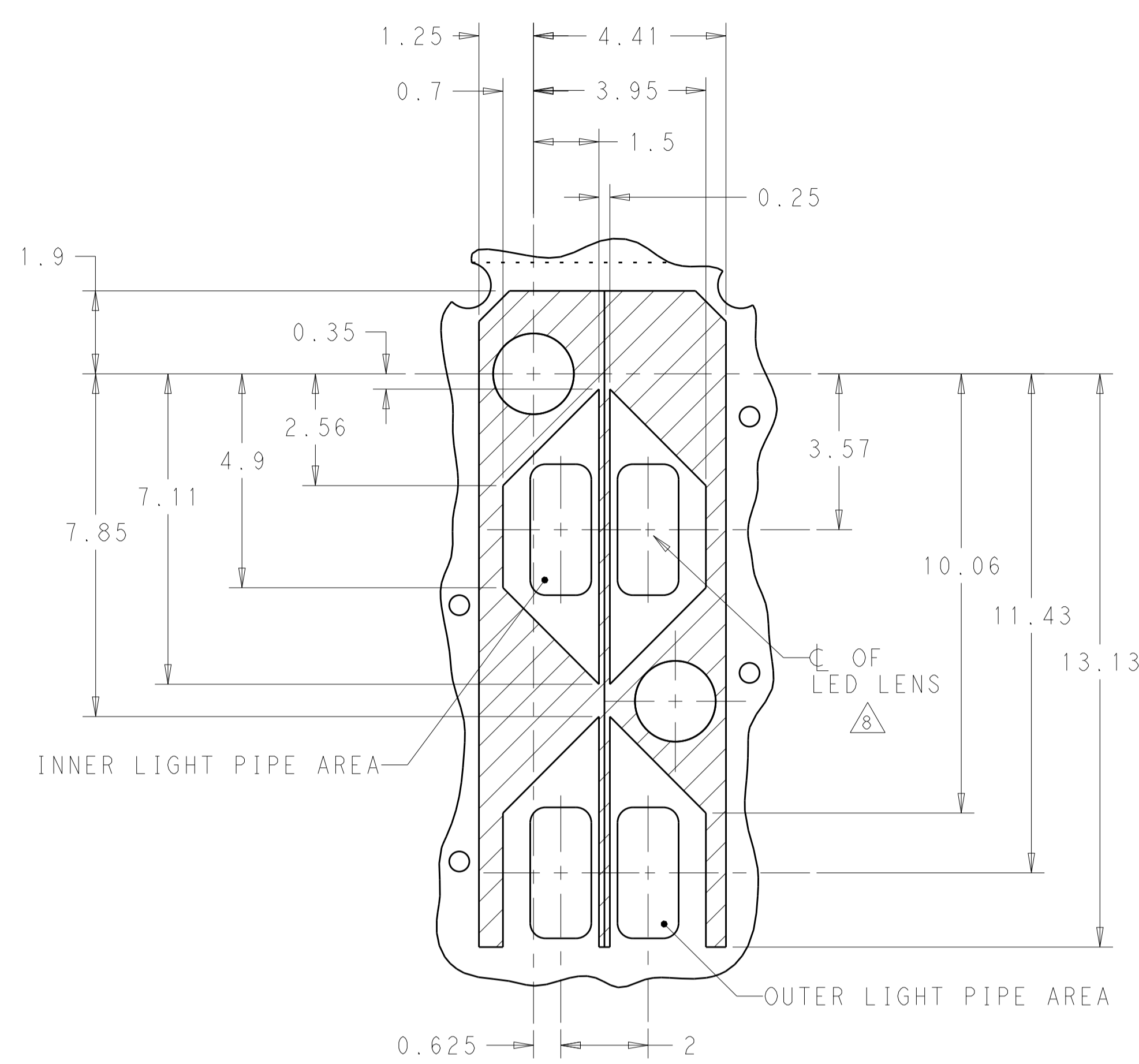
DETAIL F
SCALE 10:1

DETAIL H
CONNECTOR PIN-OUT
COMPONENT SIDE OF BOARD
SCALE 10:1

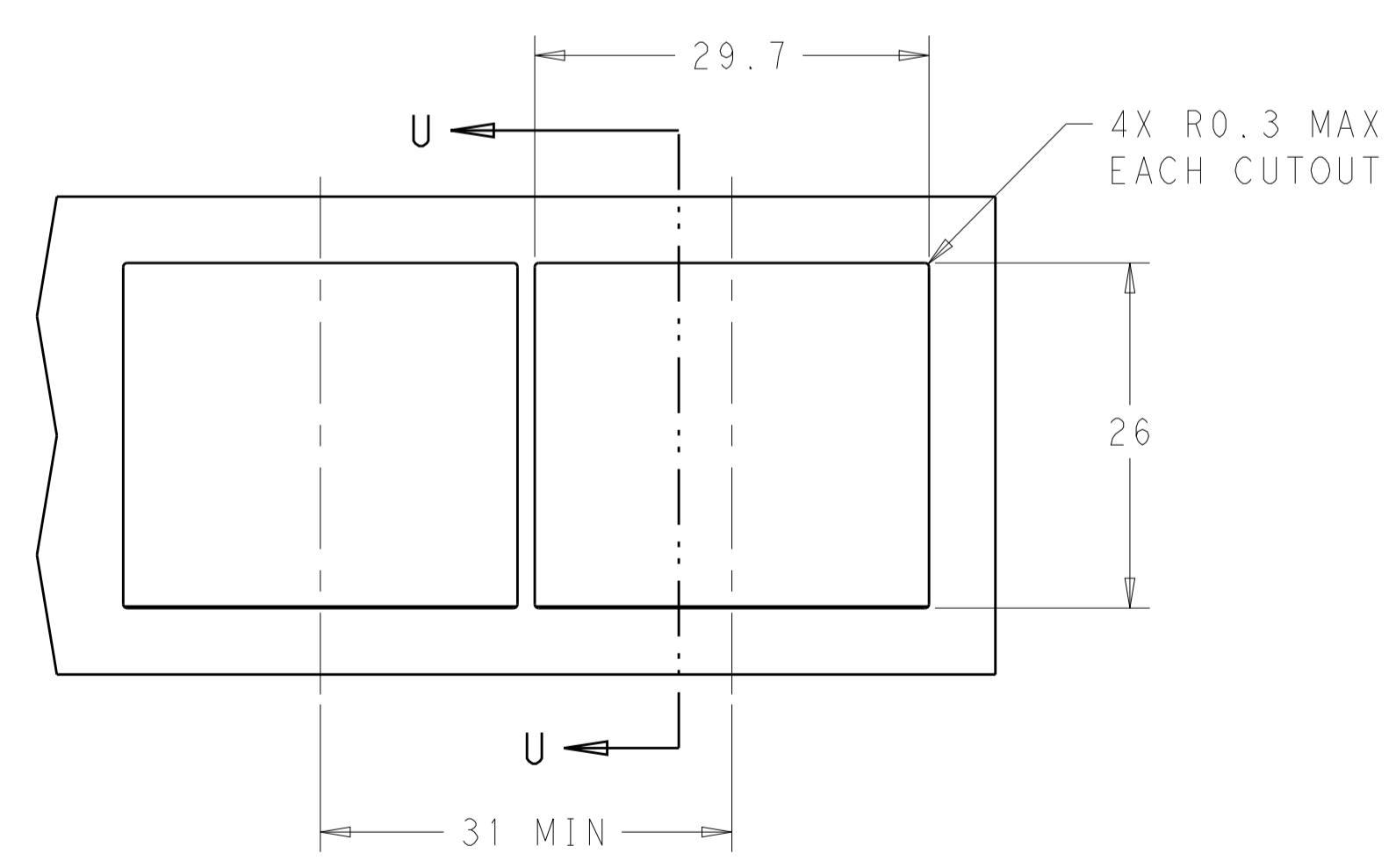
RECOMMENDED PCB LAYOUT
COMPONENT SIDE OF BOARD
SCALE 5:1

THIS DRAWING IS A CONTROLLED DOCUMENT.		DMN C. ROHLER 23JUL2009	TE Connectivity
DIMENSIONS:		CHK M. SCHMITT 23JUL2009	
mm	TOLERANCES UNLESS OTHERWISE SPECIFIED:	APVD M. SCHMITT 23JUL2009	NAME CAGE AND PT CONNECTOR ASSEMBLY, WITH EMI SPRINGS, PRESS FIT, 2X2, STACKED SFP
0 PLC ±0.10	1 PLC ±0.10	PRODUCT SPEC	SIZE 108-2331
2 PLC ±0.10	3 PLC ±0.10	APPLICATION SPEC	RESTRICTED TO
4 PLC ±0.10	ANGLES ±°	114-13103	A100779C=2110820
MATERIAL	FINISH	WEIGHT	SCALE 4:1 SHEET 3 OF 4 REV F
CUSTOMER DRAWING			

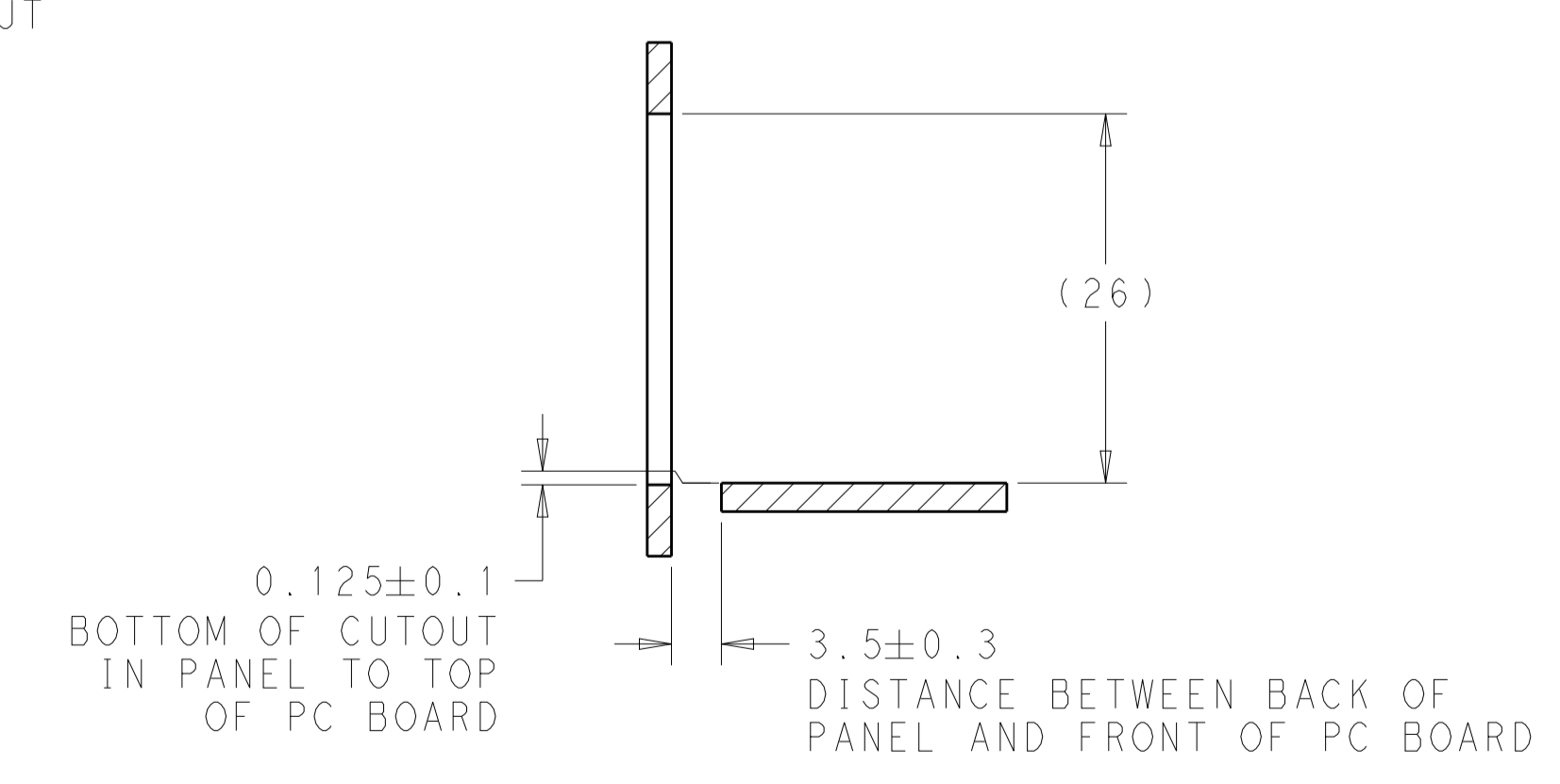
LOC		DIST		REVISIONS			
				REV	DATE	BY	APPV
GP	00			-	SEE SHEET 1	-	-




DETAIL G
 CONNECTOR HOUSING
 KEEPOUT ZONE
 SCALE 10:1



RECOMMENDED PANEL CUTOUT
 AND PC BOARD, PANEL POSITION
 SCALE 2:1



SECTION U-U

THIS DRAWING IS A CONTROLLED DOCUMENT.		OWN C. ROHLER	23JUL2009		TE Connectivity		
DIMENSIONS:		CHK M. SCHMITT	23JUL2009		NAME CAGE AND PT CONNECTOR ASSEMBLY, WITH EMI SPRINGS, PRESS FIT, 2X2, STACKED SFP		
mm	TOLERANCES UNLESS OTHERWISE SPECIFIED:	APVD M. SCHMITT	23JUL2009	PRODUCT SPEC		RESTRICTED TO	
	0 PLC ±0.10			108-2331		SIZE CAGE CODE DRAWING NO	
	2 PLC ±0.10			APPLICATION SPEC		A100779C=2110820	
	3 PLC ±0.10			114-13103		SCALE 4:1 SHEET 4 OF 4 REV F	
	4 PLC ±			WEIGHT			
	ANGLES			CUSTOMER DRAWING			
	FINISH						