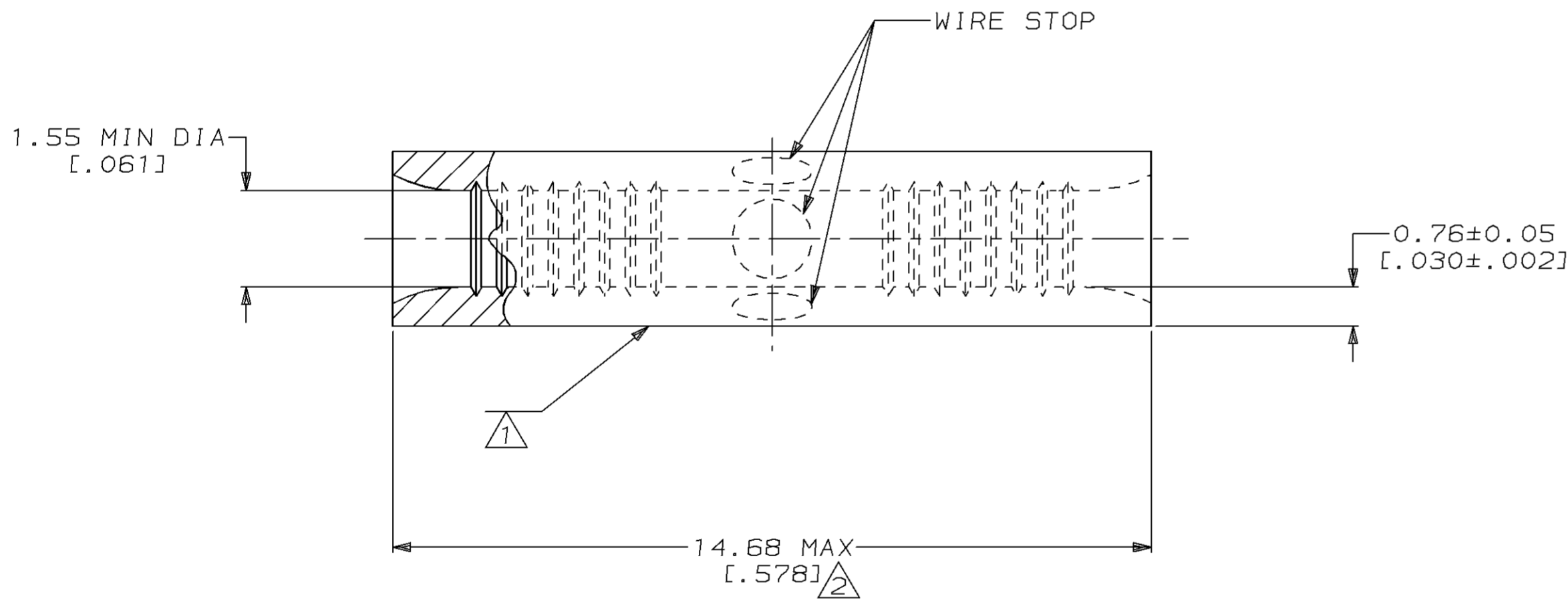
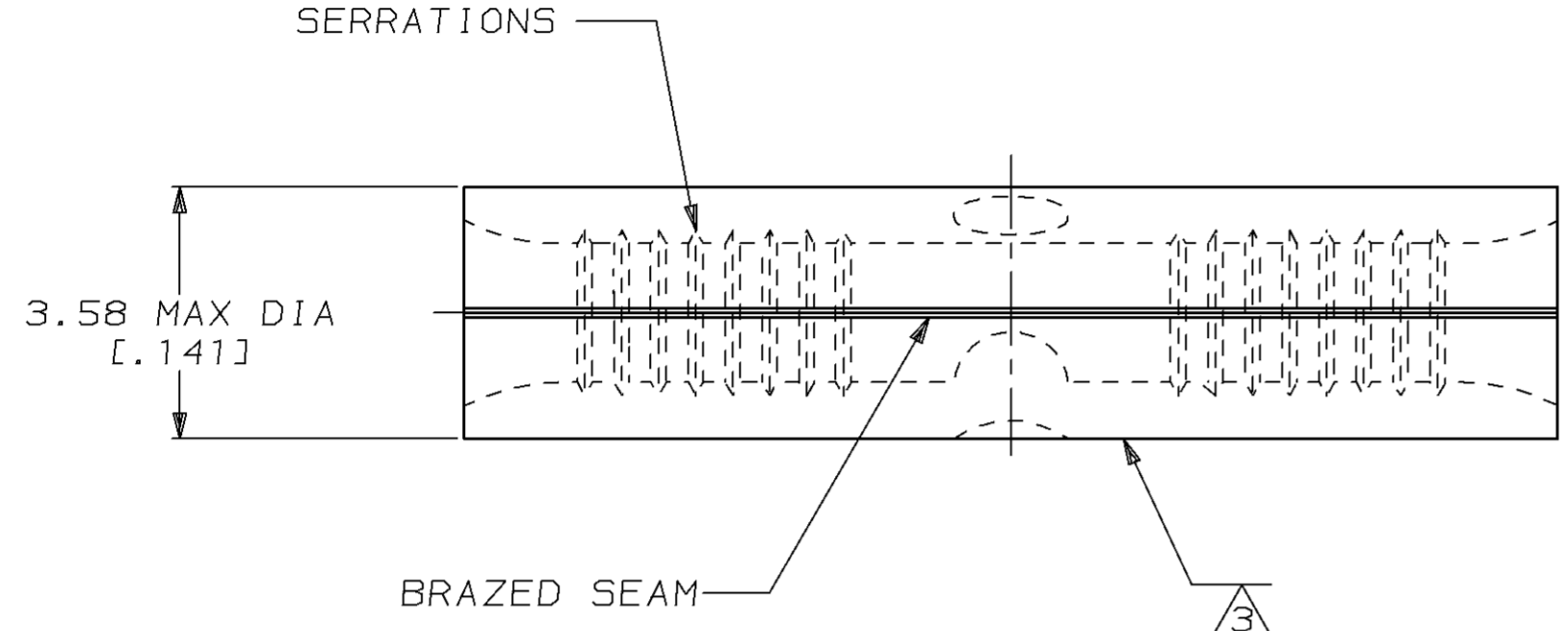


THIS DRAWING IS UNPUBLISHED. RELEASED FOR PUBLICATION ,19 .  
 © COPYRIGHT 19 BY AMP INCORPORATED. ALL INTERNATIONAL RIGHTS RESERVED.

LOC	DIST	P	F	ZONE	LTR	DESCRIPTION	DATE	APPD
G	14					D REVISED PER 0720-0044-94	4/27/94	OKS DAP

**METRIC**  
 DIMENSIONS LISTED IN mm [ INCHES ]

<b>AMP</b> WIRE RANGE	E13288 Listed
22-16 AWG SOLID OR STRANDED	NOT APPLICABLE
LR7189 Certified	MILITARY P/N AND CLASS
NOT APPLICABLE	NOT APPLICABLE



- ① STAMP AMP 22-18 APPROX AS SHOWN  
22-16 SPLICES ARE STAMPED 22-18 IN  
ACCORDANCE WITH MILITARY SPEC MIL-T-7928  
COMMERCIAL WIRE RANGE IS 22-16
- ② MAXIMUM LENGTH DOES NOT INCLUDE  
MANUFACTURING TABS
- ③ WIRE BARREL COLOR CODED ORANGE  
TO DENOTE NICKEL MATERIAL

100	LOOSE PIECE, BOX SPECIAL (NO WINDOW)	8-322324-5
----	LOOSE PIECE	322324
QUANTITY	PACKAGE TYPE	PART NO

**AMP INCORPORATED**  
**CUSTOMER SERVICE SYSTEMS**

MAX RECOMMENDED OPERATING  
 TEMPERATURE:  
 649°C MAX

DO NOT SCALE PRINT.  
 UNLESS SPECIFIED  
 DIMENSIONS IN mm [ INCHES ]  
 TOLERANCES ON :  
 2 PLC DEC ± -  
 3 PLC DEC ± -  
 ANGLES ± -

DR 4-19-93  
 TA BRINKMAN  
 CHK 4-19-93  
 DA PATTERSON

**AMP** AMP Incorporated  
 Harrisburg, PA 17105-3608

FOR ADDITIONAL  
 PRODUCT INFORMATION OR  
 COPIES OF DRAWINGS  
 AND TECHNICAL DOCUMENTS

PRODUCT INFORMATION CENTER  
 1-800-522-6752

VOLTAGE RATING:  
 NOT APPLICABLE

MATERIAL  
 NICKEL PER  
 ASTM B-162  
 ANNEALED

APPD 4-19-93  
 DE MILLER  
 APPD 4-19-93  
 JL MECKLEY  
 PRODUCT SPEC  
 -

NAME  
**SPLICE, BUTT, STANDARD,  
 HIGH TEMPERATURE,  
 STRATO-THERM™**

FOR APPLICATION  
 TOOLING INFORMATION

TOOLING ASSISTANCE CENTER  
 1-800-722-1111

WIRE CROSS SECTIONAL AREA RANGE:  
 0.26-1.65mm<sup>2</sup> [509-3,260] CIR MILS  
 SOLID OR STRANDED

FINISH  
 -

APPLICATION SPEC  
 -

SIZE  
 C 00779  
 DRAWING NO  
 C=322324

FOR ORDER ENTRY

1-800-526-5142

THIS DRAWING IS A CONTROLLED DOCUMENT FOR  
 AMP INCORPORATED. IT IS SUBJECT TO CHANGE  
 AND THE CONTROLLING ENGINEERING ORGANIZATION  
 SHOULD BE CONTACTED FOR THE LATEST REVISION.

WEIGHT  
 -

SCALE  
 10:1

SHEET  
 1 OF 1