

THIS DRAWING IS UNPUBLISHED.

RELEASED FOR PUBLICATION

ALL RIGHTS RESERVED.

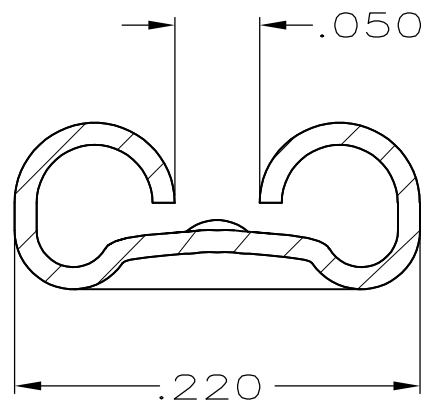
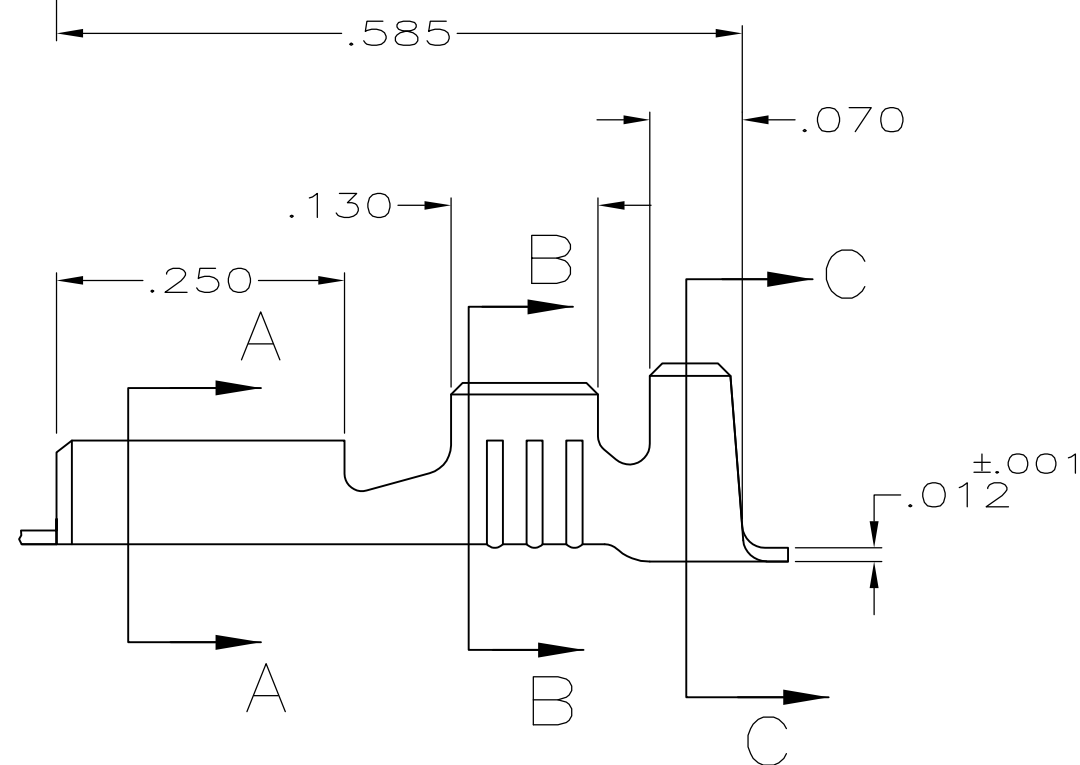
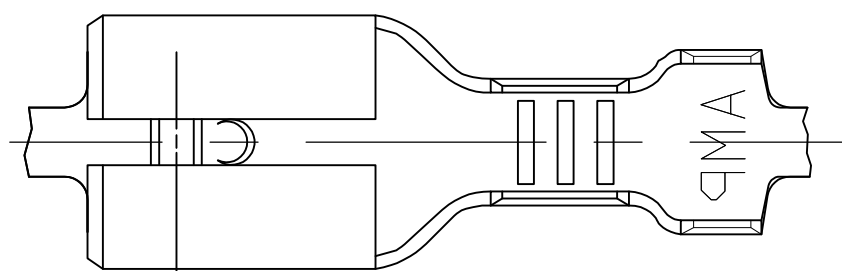
© COPYRIGHT - By -

LOC AF DIST 50

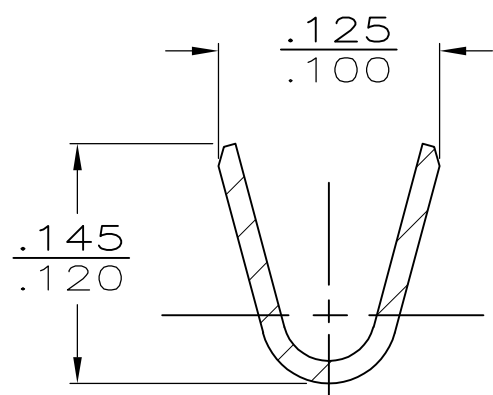
REVISIONS

P	LTR	DESCRIPTION	DATE	DWN	APVD
	U1	REV PER ECO 12-021552	11DEC12	JR	PD

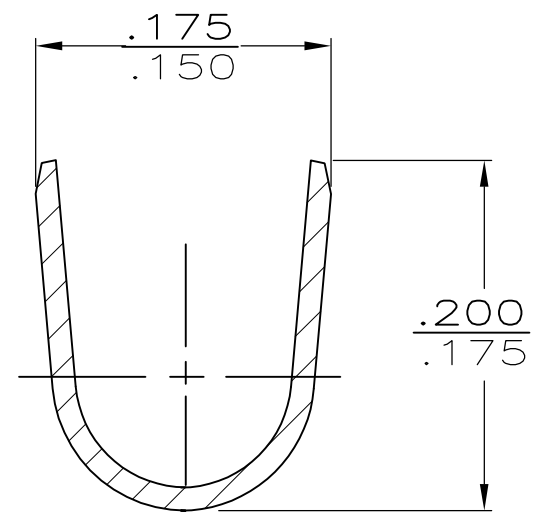
- 1 CONTINUOUS STRIP ON REELS
- 2 MATING TAB THK IS $.020 \pm .001$
- 3 WIRE SIZE IS #20-#16 AWG
- 4 INSULATION RANGE IS $.090-.130$ DIA



SECTION A-A
SCALE 8:1



SECTION B-B
SCALE 8:1



SECTION C-C
SCALE 8:1

OBSOLETE	TIN	#4H PH BRZ	42617-4
OBSOLETE	-	#4H PH BRZ	42617-3
	TIN	#4H BRASS	42617-2
	-	#4H BRASS	42617-1
	FINISH	MATERIAL	PART NO.

THIS DRAWING IS A CONTROLLED DOCUMENT.

DIMENSIONS: INCHES	TOLERANCES UNLESS OTHERWISE SPECIFIED:
	0 PLC ± -
	1 PLC ± -
	2 PLC ± -
	3 PLC ± .015
	4 PLC ± -
ANGLES ± -	± -
MATERIAL SEE TABLE	FINISH SEE TABLE

DWN	JR RUTH	10/27/89
CHK	MS FEHER	10/27/89
APVD	C MEYERS	10/27/89
PRODUCT SPEC	-	-
APPLICATION SPEC	-	-
WEIGHT	-	-
CUSTOMER DRAWING		

STE TE Connectivity

RECEPTACLE, FASTON,
.187 SERIES

SIZE	CAGE CODE	DRAWING NO	RESTRICTED TO
A3	00779	C-42617	-

SCALE 6:1 SHEET 1 OF 1 REV U1