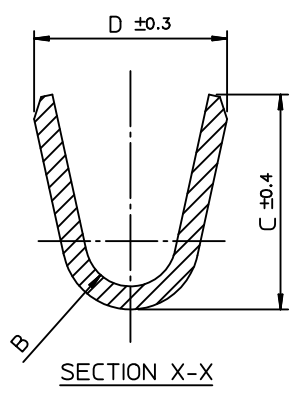
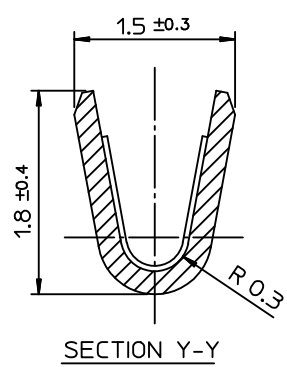
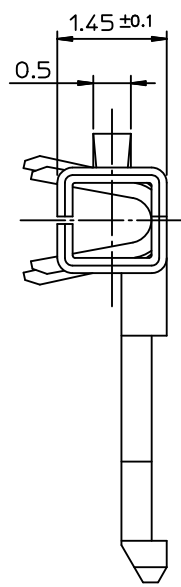
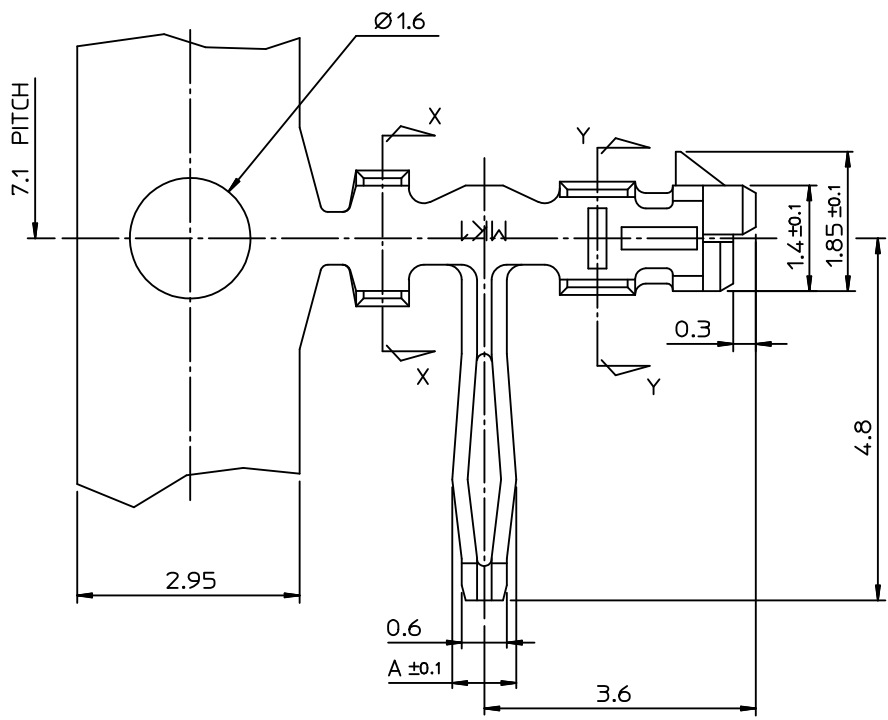
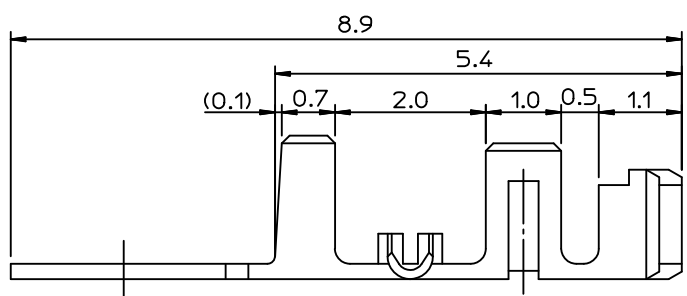


10 9 8 7 6 5 4 3 2 1



NOTE

1. MATERIAL
 - 1) BRASS (CDA 260)
 - 2) PHOSPHOR BRONZE (CDA 510)
2. PLATING
 - 1) PRE PLATED - TIN OVER COPPER
 - 2) POST PLATED - TIN/LEAD OVER COPPER
3. USED HOUSING : 35022-00**/35023-00**/68418-**00
- ④ 4. CAMBER : 30/1,000 MAX.



POST-PLATED	PHOS. BRON.	AWG #24-#30	1.8	1.9	R0.4	0.85	350211310	35021-1310
PRE-PLATED	PHOS. BRON.	(INS. DIA: \varnothing 1.5 MAX.)	2.5	2.5	R0.7	1.05	350211301	35021-1301
	BRASS						350211201	35021-1201
PRE-PLATED	PHOS. BRON.	AWG #22-#28 ①	2.5	2.5	R0.7	1.05	350211101	35021-1101
	BRASS	(INS. DIA: \varnothing 1.9 MAX.)					350211001	35021-1001
POST-PLATED	PHOS. BRON.						350211110	35021-1110
PLATING	MATERIAL	WIRE RANGE	D	C	B	A	MAT'L NO.	ENG NO.

REVISED
 EC NO: KOR2011-0132
 DRW: SUNGHYUK JOO 2011/05/24
 CHKD: YSOOK LIM 2011/05/24
 APPR: YUNSIKK LIM 2011/06/03

QUALITY SYMBOLS

GENERAL TOLERANCES (UNLESS SPECIFIED)	
mm	INCH
4 PLACES	± ---
3 PLACES	± ---
2 PLACES	± ---
1 PLACE	± 0.3
ANGULAR ± 1 °	
DRAFT WHERE APPLICABLE MUST REMAIN WITHIN DIMENSIONS	

DIMENSION STYLE
MM ONLY

DRAWN BY: HSSHIN
 CHECKED BY: JKOH
 APPROVED BY: _____

SCALE: 15:1
 DESIGN UNITS: METRIC
 THIRD ANGLE PROJECTION

TITLE: R/A B-IN TERMINAL

MOLEX INCORPORATED

MATERIAL NO.: SEE TABLE
 DOCUMENT NO.: SD-35021-001
 SHEET NO.: 1 OF 1

THIS DRAWING CONTAINS INFORMATION THAT IS PROPRIETARY TO MOLEX INCORPORATED AND SHOULD NOT BE USED WITHOUT WRITTEN PERMISSION

9 8 7 6 5 4 3 2 1