

NOTES:

- 1 MATERIAL:
 A. BODY; PHOSPHOR BRONZE PER QQ-B-750.
 B. SCREW; STAINLESS STEEL PER QQ-S-763, 200 SERIES.
 C. CLAMP INSERT; FLUOROSILICONE ELASTOMER PER MIL-R-25988.

- 2 FINISH:
 A. BODY; TIN PLATED PER MIL-T-10727 OVER NICKEL PER MIL-C-26074.
 B. SCREW; PASSIVATED PER QQ-P-35.

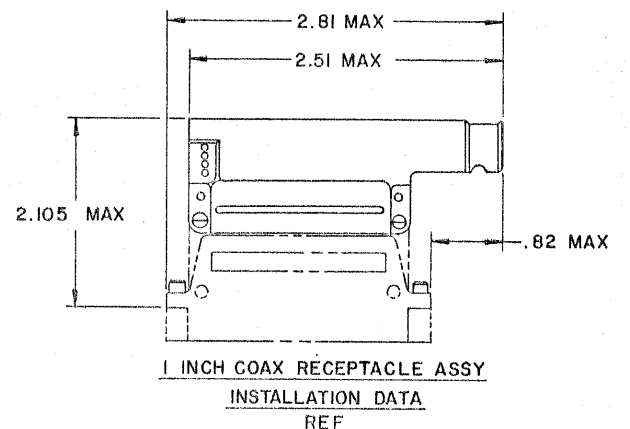
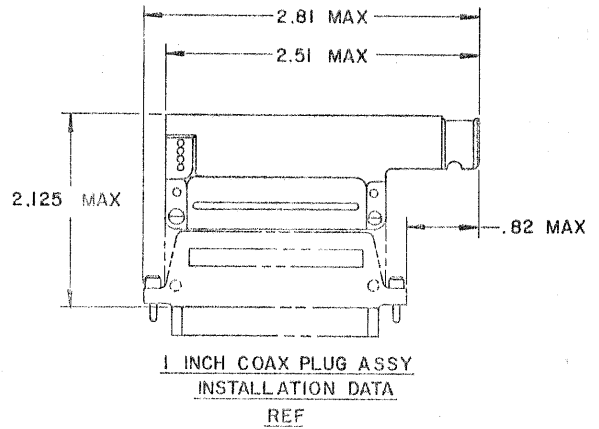
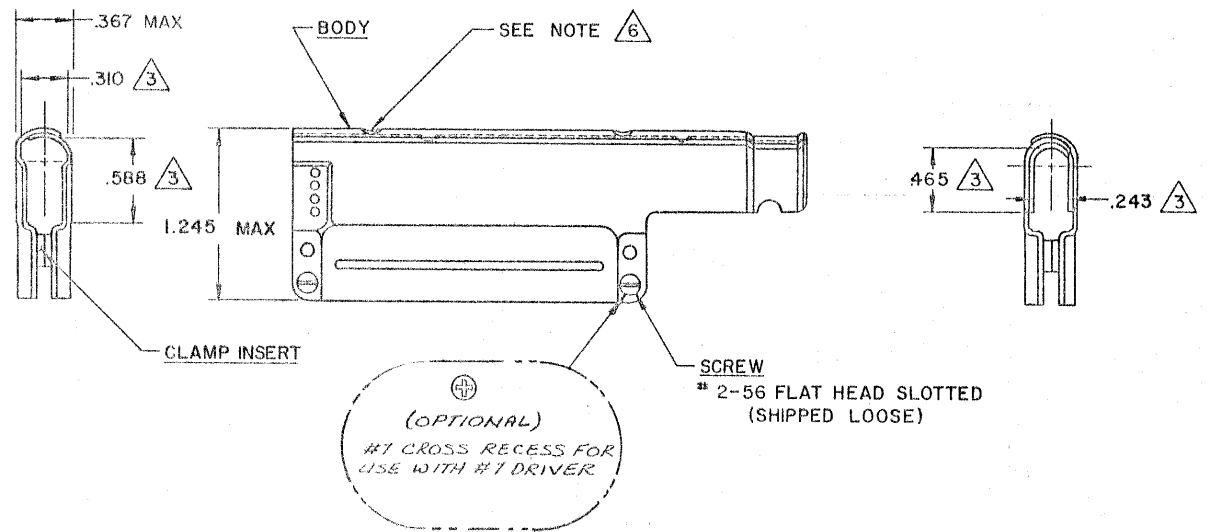
3 THESE DIMENSIONS ARE FOR MAXIMUM CABLE ACCOMMODATION.

4. *Raychem* PART NUMBER CHA-0016. IS MARKED ON BACKSHELL PACKAGE.

5. THIS BACKSHELL IS FOR USE WITH *Raychem* MTC COAX CONNECTORS. 1" COAX PLUG OR 1" COAX RECEPTACLE AS SHOWN.

6 .125 DIA. MAX. (CONSTRUCTION HOLES) TWO (2) HOLES ON EACH HALF OF PART APPROX. AS SHOWN.

REVISIONS		DATE	APPROVED
ZONE	LTR	DESCRIPTION	
—	A	REVISED PER ECN F-012650	9/14/80



CONNECTOR SPECIFICATION CONTROL DRAWING

UNLESS OTHERWISE SPECIFIED DIMENSIONS ARE IN INCHES. BRACKETED DIMENSIONS () ARE METRIC AND TOLERANCES ARE: .XXX: ± () .XX: ± () Δ: ± ()	DRAWN	WJACKSON	9-30-80	Raychem RAYCHEM CORPORATION 330 GUNSTILLTOWN DRIVE MENLO PARK, CALIFORNIA 94025
	CHECKED	B		
	APPROVED	Plain	7-30-80	
	APPROVED			
				TITLE RIGHT ANGLE BREAKOUT BACKSHELL ASSY 1 INCH MTC COAX
		SIZE	CODE IDENT	DWG. NO.
		C	NO. 06090	CHA-0016
			WEIGHT	SHEET 1 OF 1

If this document is printed it becomes uncontrolled.
 Check with the web for latest revision.

DO NOT SCALE THIS DRAWING