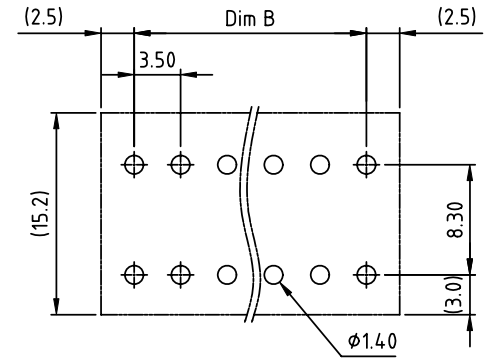
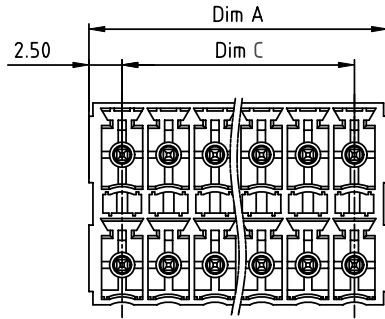
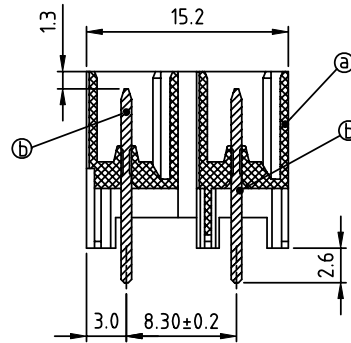
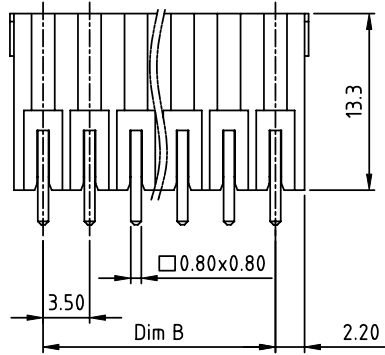


PRODUCT NUMBER	PITCH
KExx11x0A0J0G	3.50 mm



RECOMMENDED P.C.B LAYOUT
TOP VIEW



Material:

- Item (a) Terminal(housing): Thermoplastic (UL94V-0)
- Item (b) Pin: copper.tin plated

Electrical:

- cULus
- Voltage rating: 160V
- Current rating: 5.5A
- Withstanding Voltage: 132 KV
- Operating temperature: -40°C to +115°C
- Soldering temperature: 260°C ±5°C/5 Sec
- Safety Approval:

Dim A=(N/2-1)×3.5+5.0	
Dim B=(N/2-1)×3.5	
Dim C=(N/2-1)×3.5	
N=Number of poles	
POLES	Tolerance
2x2p-2x6p	±0.15
2x7p-2x12p	±0.20
2x13p-2x18p	±0.25
2x19p-2x24p	±0.30

PART NO.: KE xx 1 1 x 0 A0J0 G

Solid block	0	Black (RAL9005)	RoHS compliant (lead<4%) In copper Alloy
No. of poles	2	Red (RAL3001/D)	
04	2x2poles	3 Orange(RAL2011/P)	
06	2x3poles	4 Yellow(RAL1018/A)	
...	...	5 Green(RAL6018/T)	
48	2x24poles	6 Blue (RAL5015/A)	
		8 Grey(RAL7035/D)	
		9 White(RAL1102)	
		C Green(RAL6018/U)	

mat'l. code		surface ASME Y14.5	tolerance ASME Y14.5	projection 	product family TERMINAL BLOCK
ltr	ecn no	dr	date		title TERMINAL BLOCK
				MM	PLUGGABLE SOCKET, CLOSE VERTICAL
		angles	mm	scale	dwg no KExx11x0A0J0G
		dr	EVIN ZHONG	042314	sheet 1 of 1
		enrg	EVIN ZHONG	042314	size A4
		chr	HANKE FENG	042314	type CUSTOMER Drawing
		appd	SHI JUN	042314	
sheet index	revision	A			
	sheet	1			