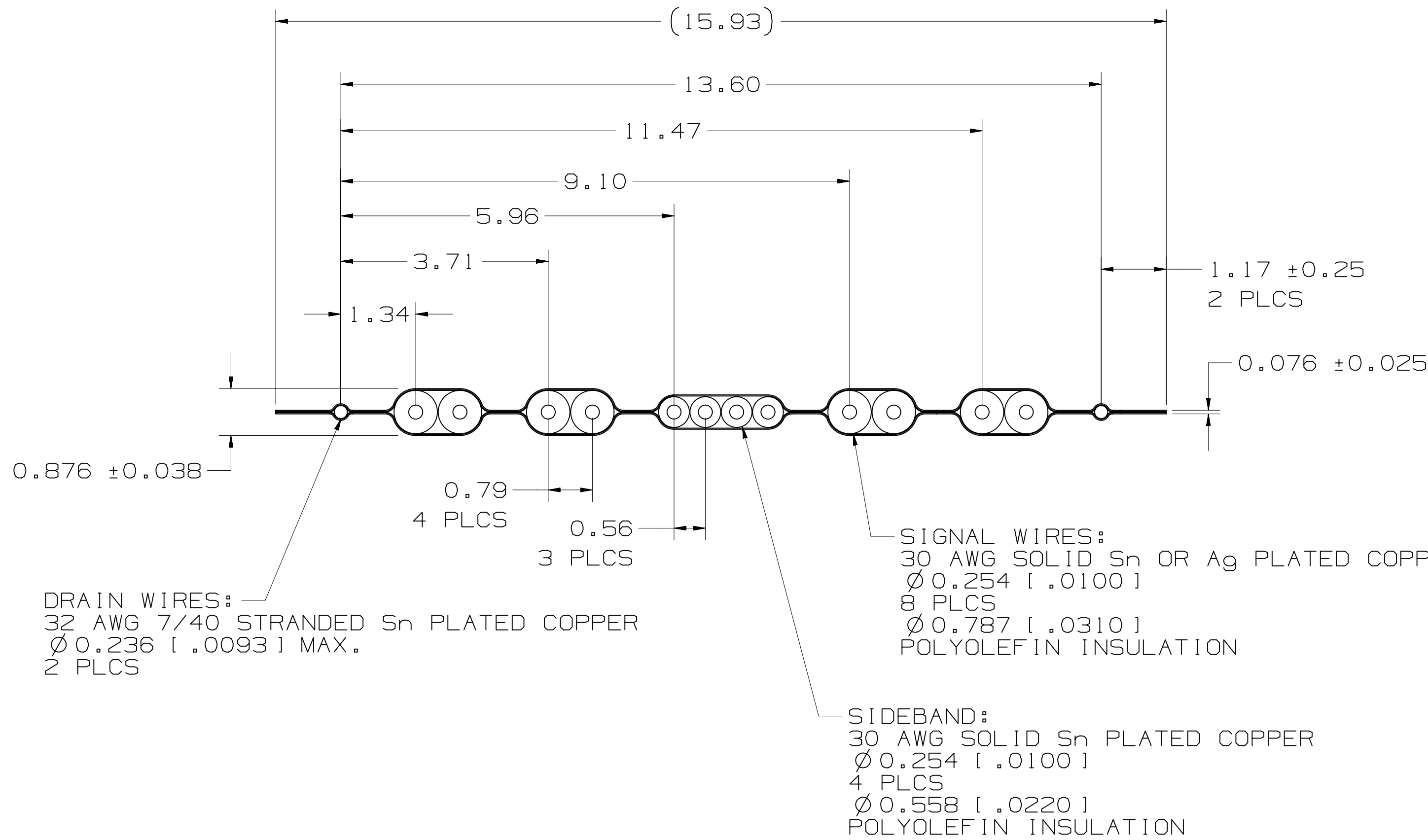


3M™ TWIN AXIAL CABLE, SL8800 SERIES

NOTES

- DIMENSIONS ARE IN MILLIMETERS.
- PHYSICAL:
INSULATION MATERIAL: POLYOLEFIN
COLOR: SILVER
MARKING: NONE
- ELECTRICAL:
IMPEDANCE: 100 ±5 OHMS
- PRODUCT SPECIFICATION: # PS-0079
- THIS UNIQUE CABLE CONSTRUCTION HAS A THIN ALUMINUM INNER LAYER EXPOSED AT EACH EDGE. USERS SHOULD ASSESS WHETHER THE EXPOSED EDGE PRESENTS A SHORTING RISK IN THEIR SPECIFIC APPLICATION. INSULATING TAPE MAY BE APPLIED AT THE CABLE ASSEMBLY LEVEL, AS NEEDED TO COVER THIS EXPOSED EDGE IN RISK AREAS.
- REGULATORY INFORMATION:
ROHS COMPLIANT. SEE THE REGULATORY INFORMATION APPENDIX (RIA) IN THE "ROHS COMPLIANCE" SECTION OF WWW.3MCONNECTOR.COM FOR COMPLIANCE INFORMATION (RIA E1 & C1 APPLY)

UL FILE NUMBER: E42769
- FOIL-STRIPPING PROFILED BLADE DESIGN
DRAWING: 12-2678-5169-4



DRAIN WIRES:
32 AWG 7/40 STRANDED Sn PLATED COPPER
Ø 0.236 [.0093] MAX.
2 PLCS

SIGNAL WIRES:
30 AWG SOLID Sn OR Ag PLATED COPPER
Ø 0.254 [.0100]
8 PLCS
Ø 0.787 [.0310]
POLYOLEFIN INSULATION

SIDEBAND:
30 AWG SOLID Sn PLATED COPPER
Ø 0.254 [.0100]
4 PLCS
Ø 0.558 [.0220]
POLYOLEFIN INSULATION

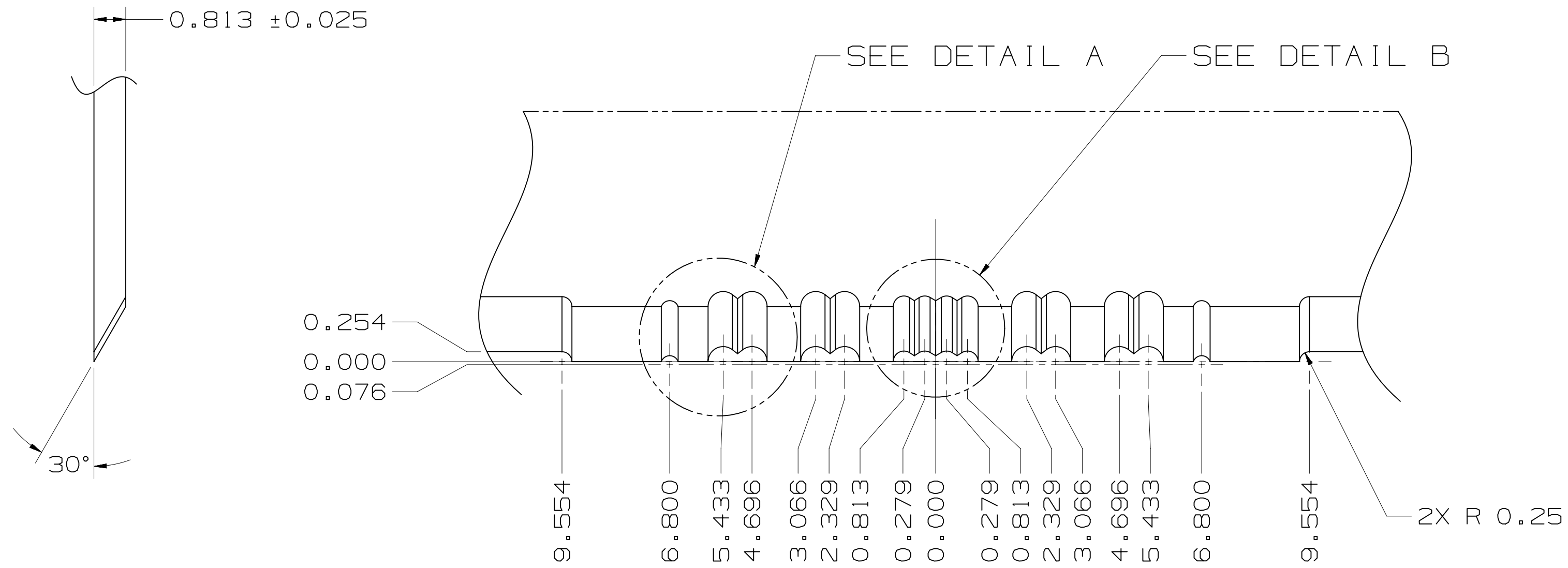
PLATING OPTION	PART NUMBER
Ag	SL8801/12-101A5-00
Sn	SL8801/12/111A5-00

B	32780	MAR 04,2011	LDS	DD
A	30467	AUG 09,2010	ML	ML
REV	ECO	ISSUE DATE AND DESCRIPTION	DRFT	CHKD

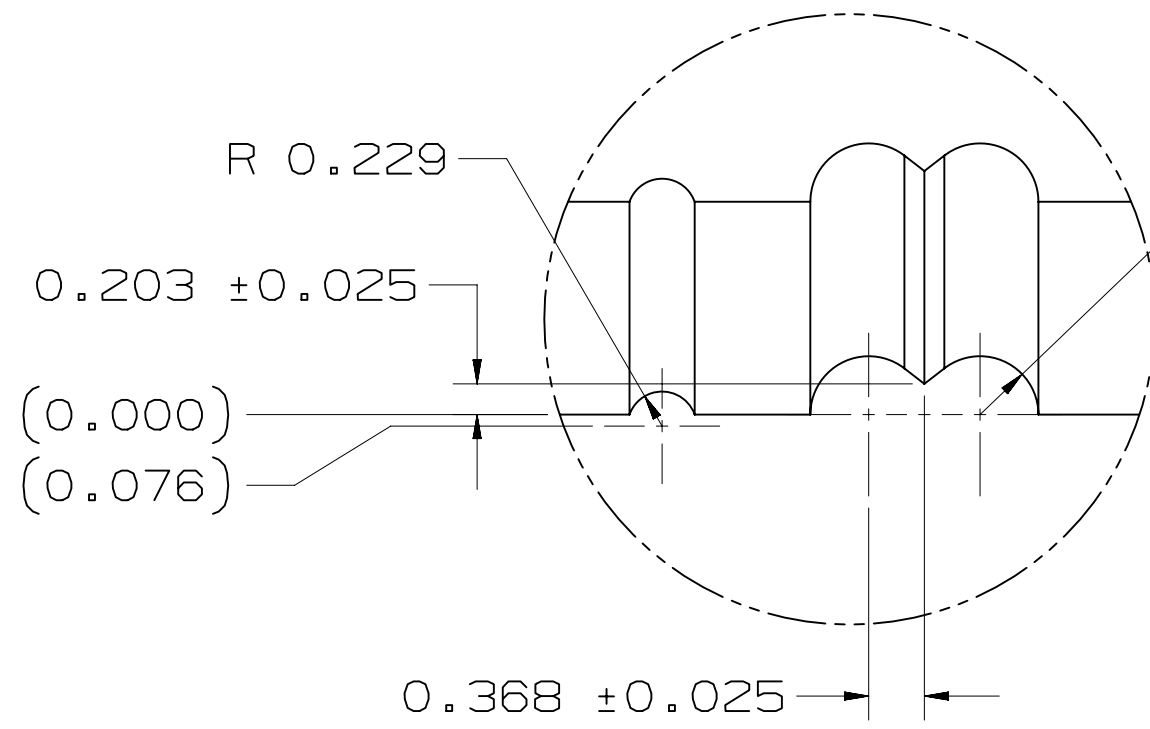
DESIGN REFERENCE		NEXT ASSEMBLY	
DISTRIBUTION CODES		DRFT	DATE
		L SCHMIDT	MAR 04,2011
		CHKD	DATE
			APPVL
			DATE
DIVISION		DIVISION CODE	
DO NOT SCALE DRAWING	SCALE NTS	TOLERANCES EXCEPT AS NOTED	
THIRD ANGLE PROJECTION		INCHES	
INTERPRET PER ASME Y14.5 - 1994		MILLIMETERS	
MAX SURFACE ROUGHNESS		ANGLES ±1°	
125			
☐ ALL SURFACES			
☒ MARKED ONLY			
<p>© 3M COPYRIGHT 2011 This document and the information it contains are 3M property and may not be reproduced or further distributed without 3M permission, or used or disclosed other than for 3M authorized purposes. All rights reserved.</p>			
TITLE			
3M RIBBON TWIN AXIAL CABLE, SL8801/12, 4 PAIR, 4 SIDEBANDS IN MIDDLE, 2 DRAINS			
CAGE NUMBER	SIZE	DRAWING NO.	REV.
C		78-5100-2360-5	B
MODEL		DET.	SHT 1 OF 3
		LISTS	YES ☒ NO

3M™ TWIN AXIAL CABLE, SL8800 SERIES
STRIPPING BLADE AND GUIDE DETAILS

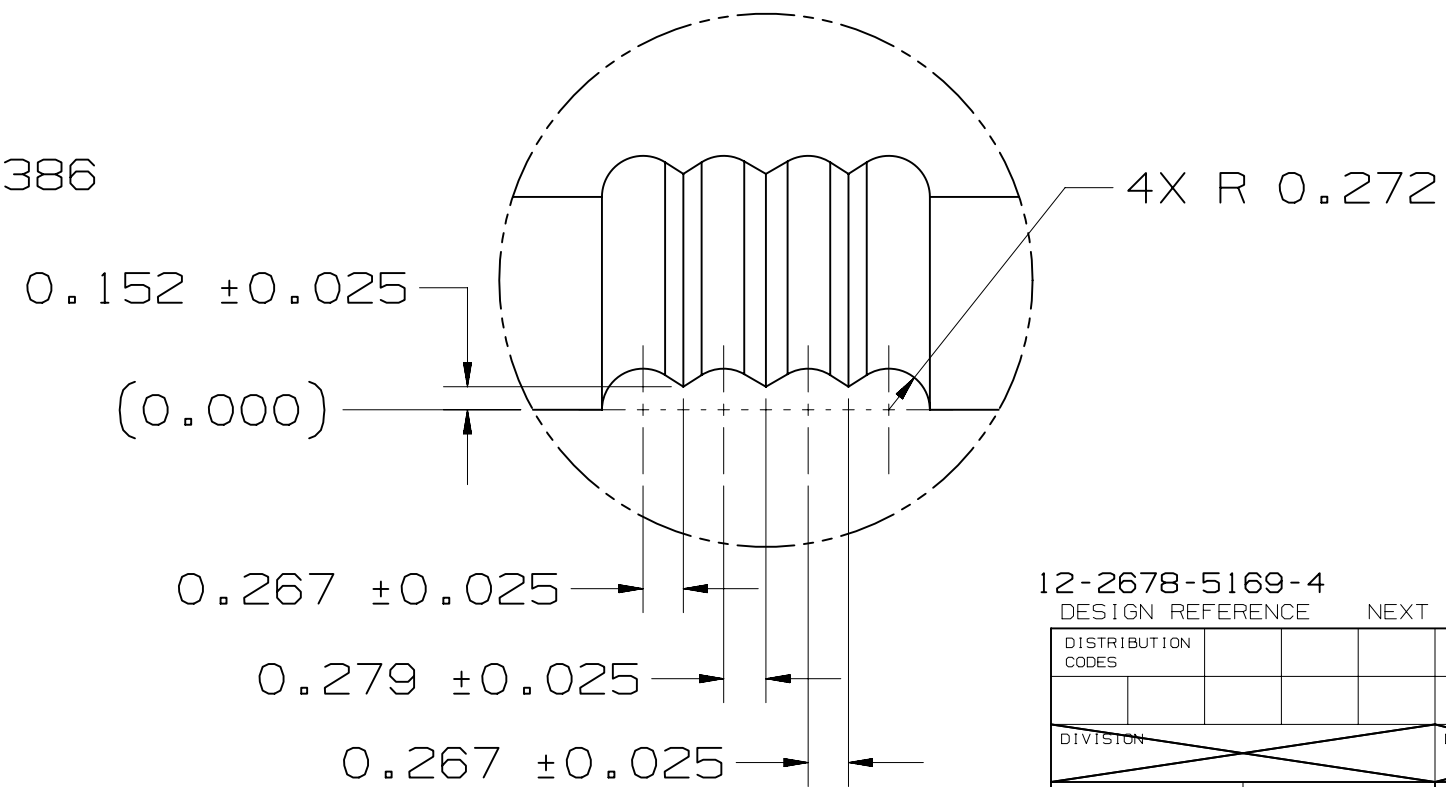
NOTES	
1.	MATERIAL: 1095 SPRING STEEL, BLUE TEMPERED AND POLISHED, ASTM 682



RECOMMENDED PROFILE
FOR FOIL STRIPPER BLADE



DETAIL A
SCALE 20:1
TYP



DETAIL B
SCALE 20:1

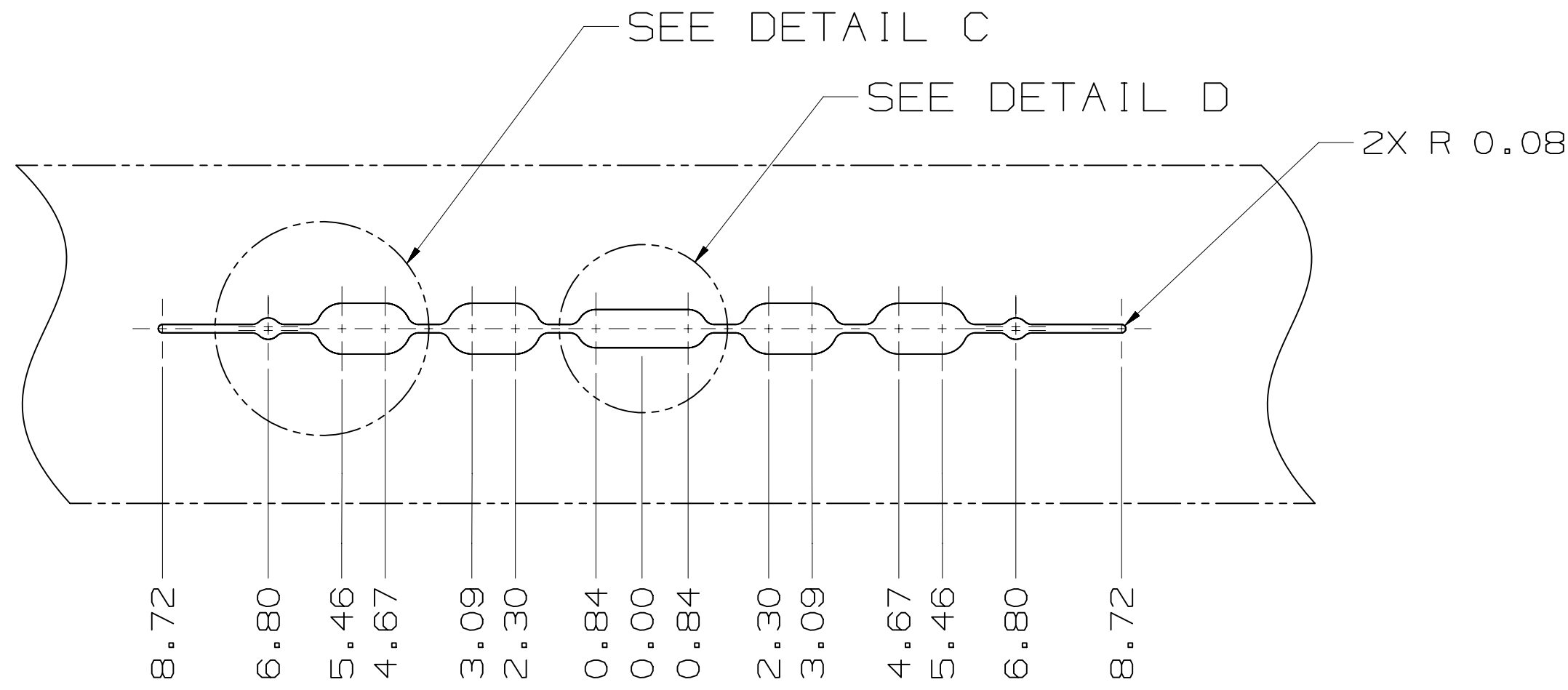
12-2678-5169-4
DESIGN REFERENCE NEXT ASSEMBLY

DISTRIBUTION CODES					
DIVISION	SCALE NTS		TOLERANCES EXCEPT AS NOTED		
	THIRD ANGLE PROJECTION		INCHES		
	INTERPRET PER ASME Y14.5 - 1994		MILLIMETERS		
MAX SURFACE ROUGHNESS	125		.000 ± .005		
	ALL SURFACES		ANGLES ±1°		
	MARKED ONLY				

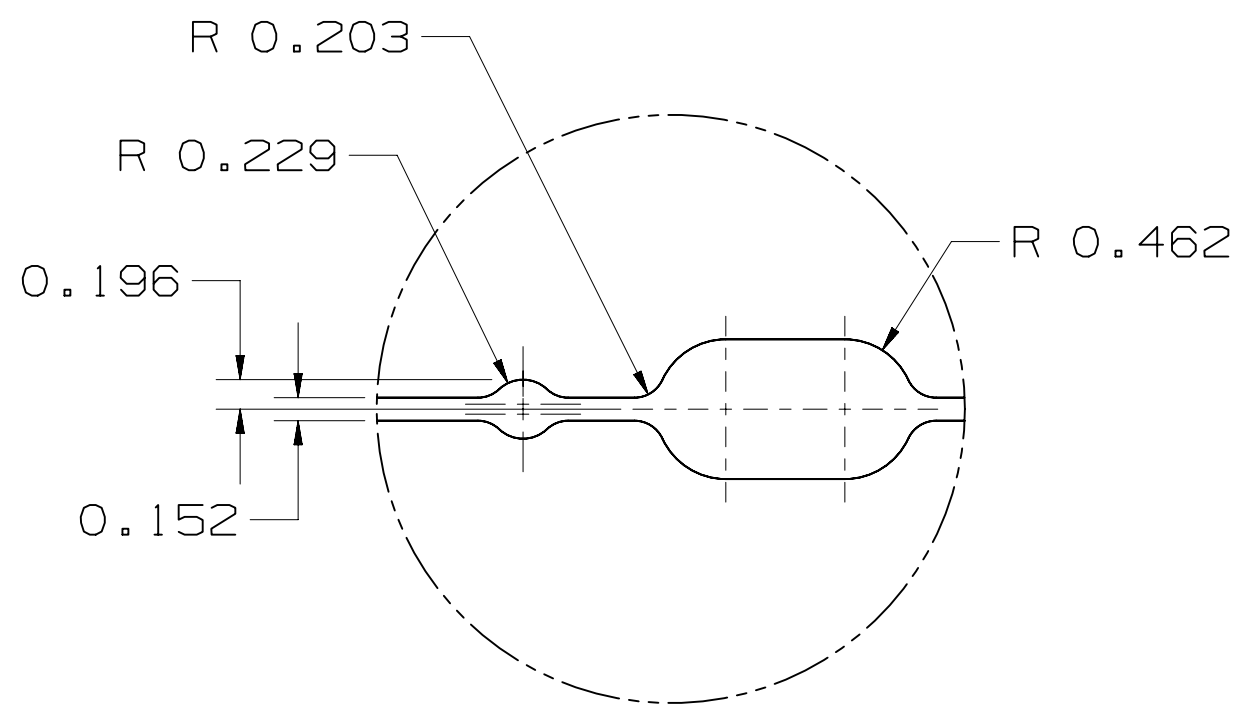
B	32780	MAR 04, 2011	LDS	DD
		REVISED & REDRAWN		
A	30467	AUG 09, 2010	ML	ML
REV	ECO	ISSUE DATE AND DESCRIPTION	DRFT	CHKD
DRFT	L. SCHMIDT	DATE MAR 04, 2011	MFG	DATE
CHKD		DATE	APPVL	DATE
3M		© 3M COPYRIGHT 2011		
3M Center St. Paul, MN 55144		This document and the information it contains are 3M property and may not be reproduced or further distributed without 3M permission, or used or disclosed other than for 3M authorized purposes. All rights reserved.		
TITLE				
3M RIBBON TWIN AXIAL CABLE, SL8801/12, 4 PAIR, 4 SIDEBANDS IN MIDDLE, 2 DRAINS				
CAGE NUMBER	SIZE	DRAWING NO.	REV.	
C		78-5100-2360-5	B	
MODEL		DET. LISTS	YES	NO
		SHT	2	OF 3

3M™ TWIN AXIAL CABLE, SL8800 SERIES
STRIPPING BLADE AND GUIDE DETAILS

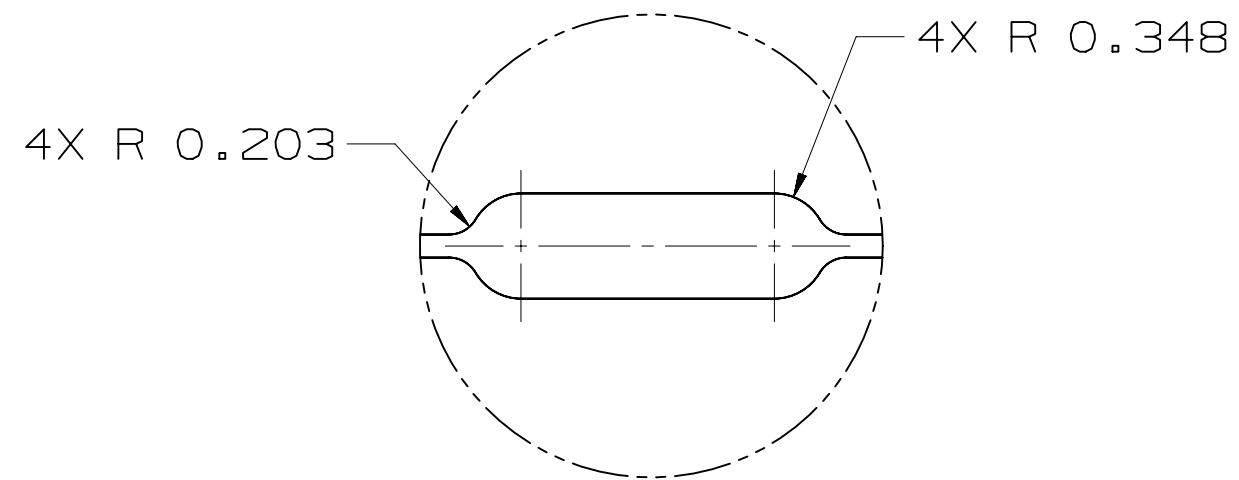
NOTES	
1.	MATERIAL: 420 STAINLESS STEEL



RECOMMENDED PROFILE
FOR CABLE GUIDE



DETAIL C
SCALE 20:1
TYP



DETAIL D
SCALE 20:1

B	32780	MAR 04, 2011	LDS	DD
A	30467	AUG 09, 2010	ML	ML
REV	ECO	ISSUE DATE AND DESCRIPTION	DRFT	CHKD

DISTRIBUTION CODES	DESIGN REFERENCE	NEXT ASSEMBLY
DIVISION	SCALE	TOLERANCES EXCEPT AS NOTED
DO NOT SCALE DRAWING	NTS	INCHES
THIRD ANGLE PROJECTION	INTERPRET PER ASME Y14.5 - 1994	MILLIMETERS
MAX SURFACE ROUGHNESS	125	ANGLES ±1°

DRFT	L SCHMIDT	DATE	MAR 04, 2011	MFG	DATE
CHKD		DATE		APPVL	DATE
		© 3M COPYRIGHT 2011 This document and the information it contains are 3M property and may not be reproduced or further distributed without 3M permission, or used or disclosed other than for 3M authorized purposes. All rights reserved.			
TITLE 3M RIBBON TWIN AXIAL CABLE, SL8801/12, 4 PAIR, 4 SIDEBANDS IN MIDDLE, 2 DRAINS					
CAGE NUMBER	SIZE	DRAWING NO.	REV.		
C		78-5100-2360-5	B		
MODEL	DET. LISTS		YES	NO	SHT 3 OF 3