

AMPHENOL P/N:

AMPHENOL P/N:	PCB THICKNESS DIM "T"	DIM 'A'	DIM 'B'
H11-RDA-110-3	.062" [1.57]	.053" [1.35]	.053±.01" [1.35±0.25mm]
H11-RDA-110-3-C	.062" [1.57]	.053" [1.35]	.053±.01" [1.35±0.25mm]
H11-RDA-110-3-CT	.062" [1.57]	.053" [1.35]	.053±.01" [1.35±0.25mm]
H11-RDA-110-4	.093" [2.36]	.081" [2.05]	.064±.01" [1.62±0.25mm]
H11-RDA-110-4-C	.093" [2.36]	.081" [2.05]	.064±.01" [1.62±0.25mm]
H11-RDA-110-4-CT	.093" [2.36]	.081" [2.05]	.064±.01" [1.62±0.25mm]

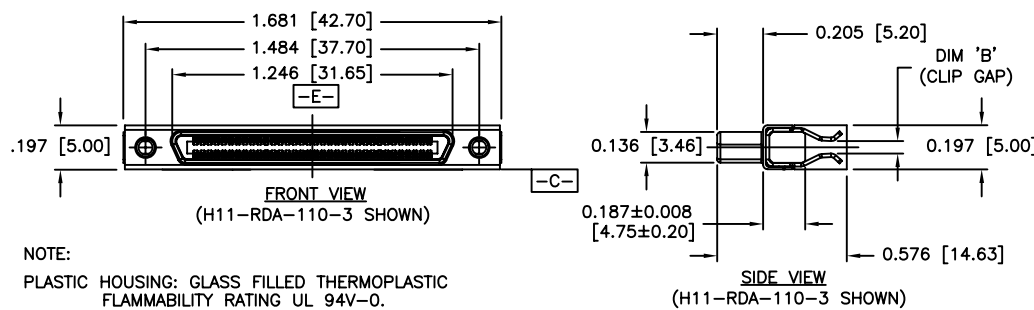
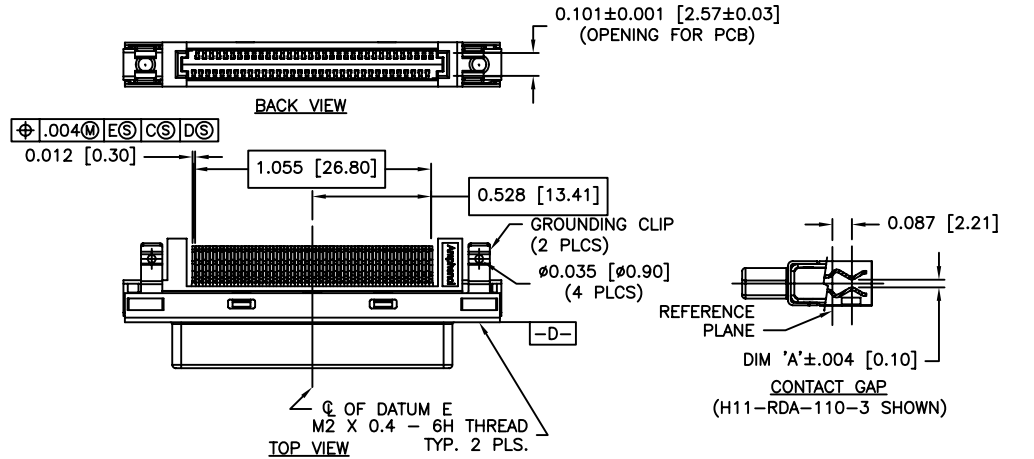
PART NUMBER SYSTEM:

H 1 1 - R D A - 1 1 0 - X - X X

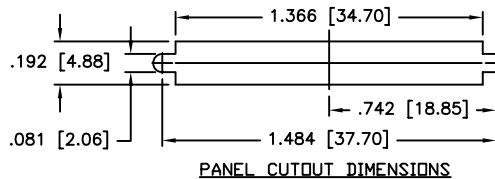
OPTIONS:
 3= FOR 0.062" THICK PCB
 4= FOR 0.093" THICK PCB

BLANK= WITHOUT PLUG & WITH TUBE PACKAGING;
 C = WITH PLUG & TUBE PACKAGING;
 CT= WITH PLUG & TAPE & REEL PACKAGING

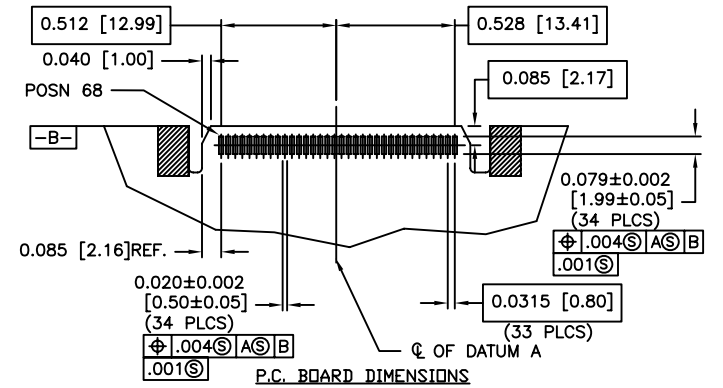
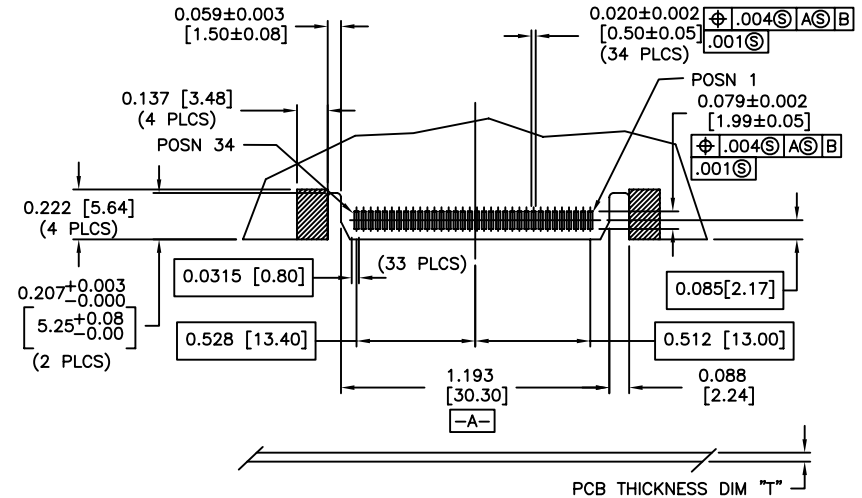
REVISIONS			
REV.	DESCRIPTION	DATE	APPROVED
A	DWG No. CHANGED FROM H11-RDA-100-X-XX	SEPT09/03	AK
B	CHANGE CLIP OPENING DIM & TOL.	NOV19/02	AK
C	CHANGE PCB DIMENSIONS TO MATCH CUSTOMER PCB.	OCT21/04	AG
D	CHANGE CLIP GAP DIMENSION TOLERANCE	DEC19/05	LCHW
E	ECN E07198	JUN 2007	LCHW
F	ECN E07376	OCT 22/07	LCHW
G	CHANGE DIM 0.031(0.80) TO 0.0315(0.80)	MAY 18/09	AG



NOTE:
 PLASTIC HOUSING: GLASS FILLED THERMOPLASTIC
 FLAMMABILITY RATING UL 94V-0.
 COLOUR: BLACK
 CONTACTS: PHOSPHOR BRONZE
 30 u" [0.76 MICRONS] GOLD OVER
 50 u" [1.27 MICRONS] NICKEL.
 SHELL: STEEL, NICKEL PLATED.
 GROUNDING CLIP: COPPER ALLOY , 150u" (3.75 MICRONS)
 TIN-LEAD OVER 50u" (1.27 MICRONS) NICKEL
 REFLOW: 6u" (0.15 MICRONS) MIN. SOLDER PASTE ON
 P.C. BOARD REQUIRED FOR REFLOW PROCESS.

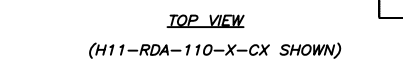
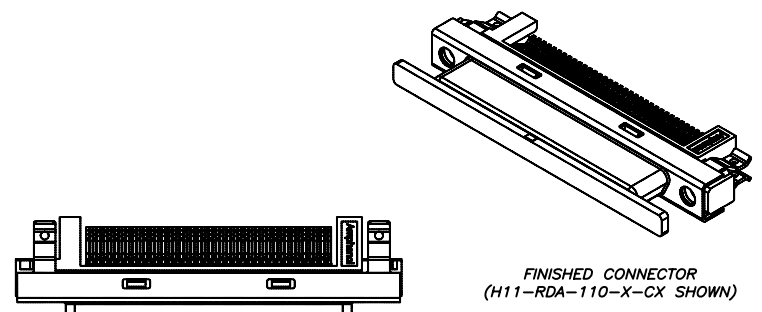
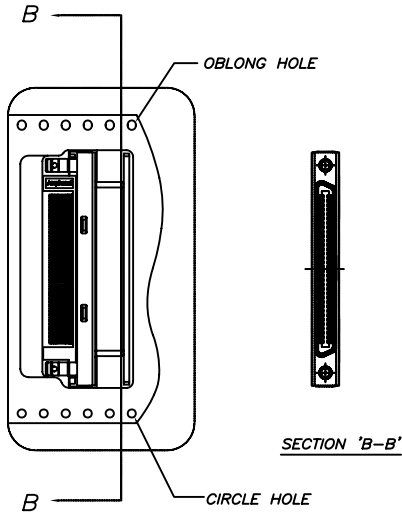
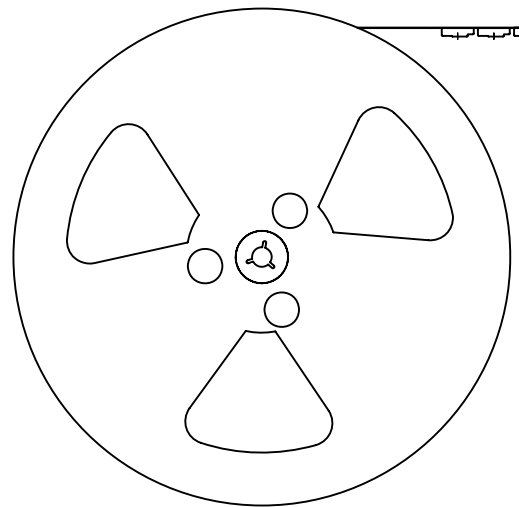
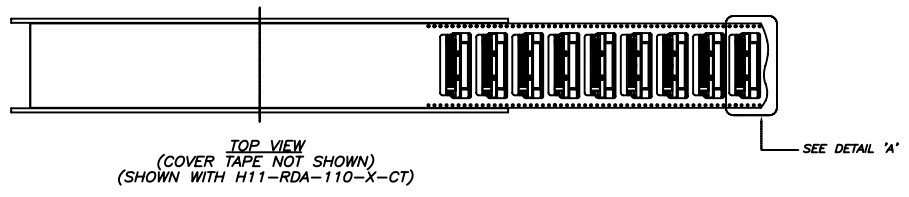


DO NOT SCALE DRAWING
 OR USED FOR MANUFACTURING PURPOSES WITHOUT PERMISSION FROM AMPHENOL CANADA CORP.

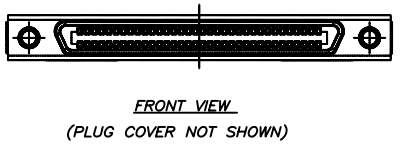


UNLESS OTHERWISE SPECIFIED DIMENSIONS ARE IN INCHES	APPROVALS		DATE	Amphenol Canada Corp.
	DRAWN	A.K.	SEPT09/03	
REVISIONS	A.K.	SEPT09/03	VHDCI STRADDLE MOUNT RECEPTACLE, NO SCREWLOCKS, SHIELDED WITH NO EMI TABS	
INTERNAL AND FINISH	DESIGNED	A.GREEN	SEPT09/03	
SEE NOTES	DR APPR	K.L.	SEPT09/03	
REF. ECN E07198	DR APPR			
CUR. THER. NO. 03554	DRG APPR			
	REV. B	REV. NO. P-H11-RDA-110-X-XX	REV. G	
	SCALE 2 = 1	PROJECT RDA	SHEET 1 OF 2	

REVISIONS			
REV.	DESCRIPTION	DATE	APPROVED
A	DWG No. CHANGED FROM H11-RDA-100-X-XX	SEPT09/03	A.K.
B	CHANGE CLIP OPENING DIM. & TOL.	NOV19/03	A.K.
C	CHANGE PCB DIMENSIONS TO MATCH CUSTOMER PCB.	DEC12/04	A.G.
D	CHANGE CLIP GAP DIMENSION TOLERANCE.	DEC19/06	L.CHAN
E	ECN E07198	JUN20/07	L.CHAN
F	ECN E07376	OCT 22/07	L.CHAN
G	CHANGE DIM 0.031(0.80) TO 0.0315(0.80)	MAY 18/09	A.G.



PLUG COVER TO BE
REMOVED AFTER
CONNECTOR SOLDERED
INTO THE PCB



- PACKAGING NOTES:**
- REEL DETAILS:
 - O.D.: 330.00 [12.992].
 - THICKNESS: 56.8 [2.236].
 - CONNECTORS PER REEL: 496.
 - TAPE & REEL PACKAGING IS IN COMPLIANCE WITH EIA 481.

DO NOT SCALE DRAWING
OR USED FOR MANUFACTURING PURPOSES WITHOUT PERMISSION FROM AMPHENOL CANADA CORP.

UNLESS OTHERWISE SPECIFIED DIMENSIONS ARE IN INCHES	APPROVALS	DATE	Amphenol Canada Corp.	
	DRAWN A.K.	SEPT09/03	TITLE	
	DESIGNED A.K.	SEPT09/03	VHDCI STRADDLE MOUNT RECEPTACLE, NO SCREWLOCKS, SHIELDED WITH NO EMI TABS	
INTERNAL AND FINISH	CHECKED A.GREEN	SEPT09/03		
SEE NOTES	QA APPS K.L.	SEPT09/03		
REF. ECN E07198	ENG APPS		SIZE B	DWG. NO. P-H11-RDA-110-X-XX REV. G
DATE THER. NO. 03554	DWG APPS		SCALE N.T.S.	PROJECT RDA SHEET 2 OF 2