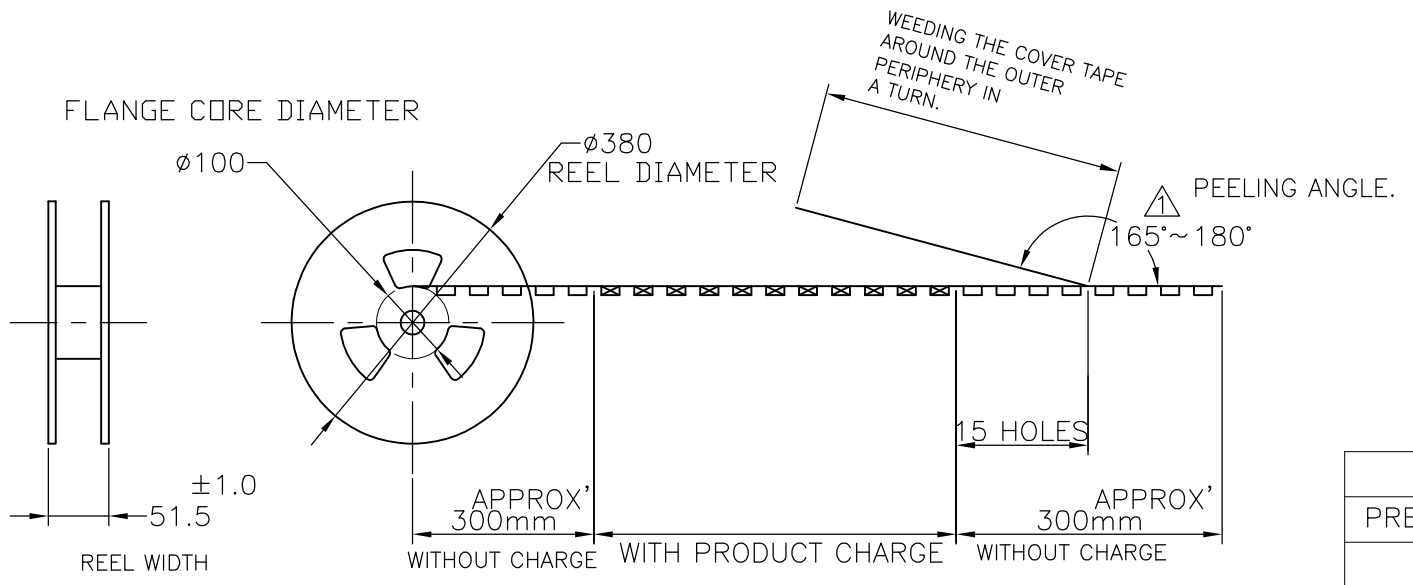
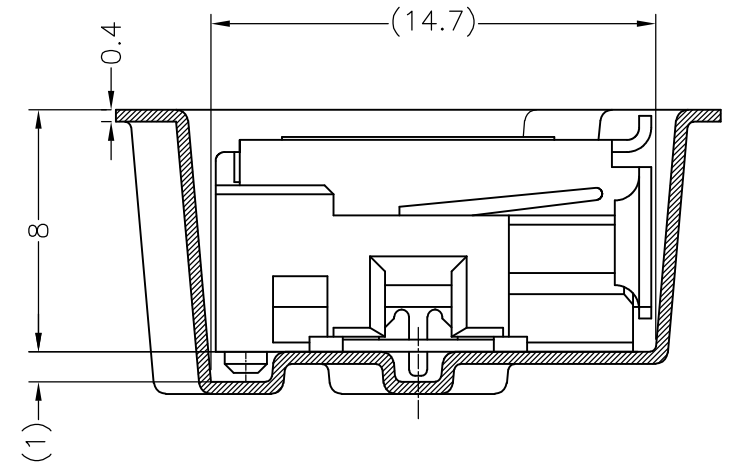
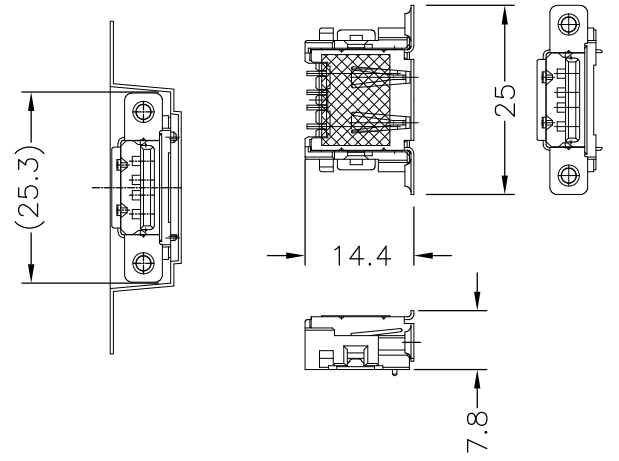
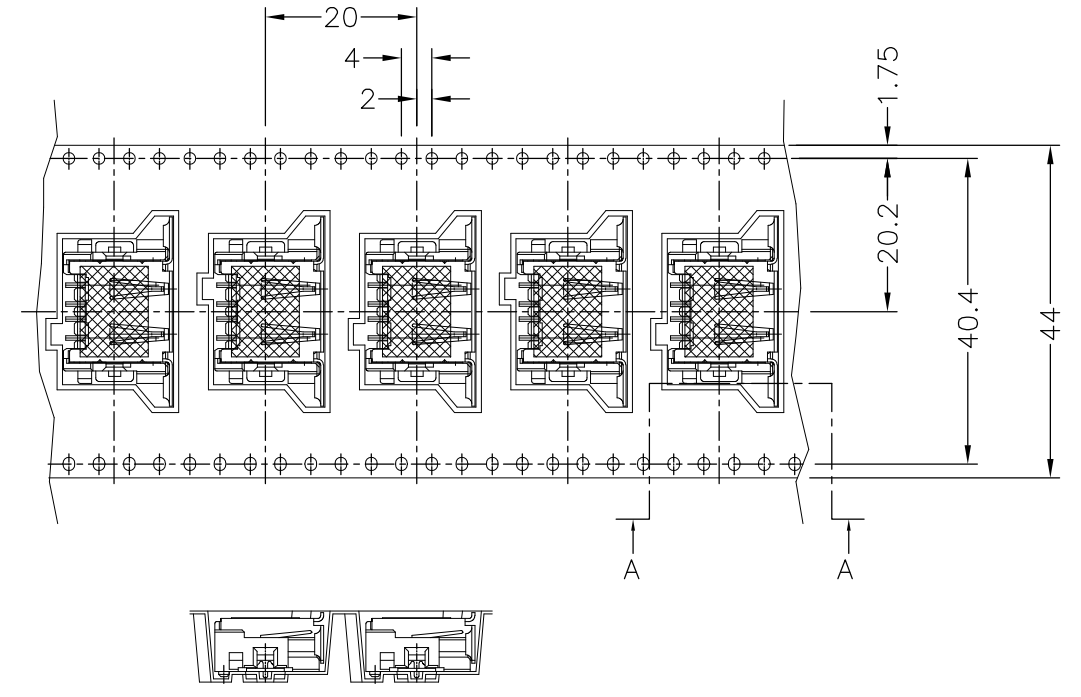


THIS DRAWING IS UNPUBLISHED. RELEASED FOR PUBLICATION
 © COPYRIGHT - By - ALL RIGHTS RESERVED.

LOC	DIST	REVISIONS					
ES	00	P	LTR	DESCRIPTION	DATE	DWN	APVD
		P		REVISED PER ECO-11-005033	28MAR11	RK	HMR

DIRECTION OFF TOP OF REEL →



5353929-1, 2 ²

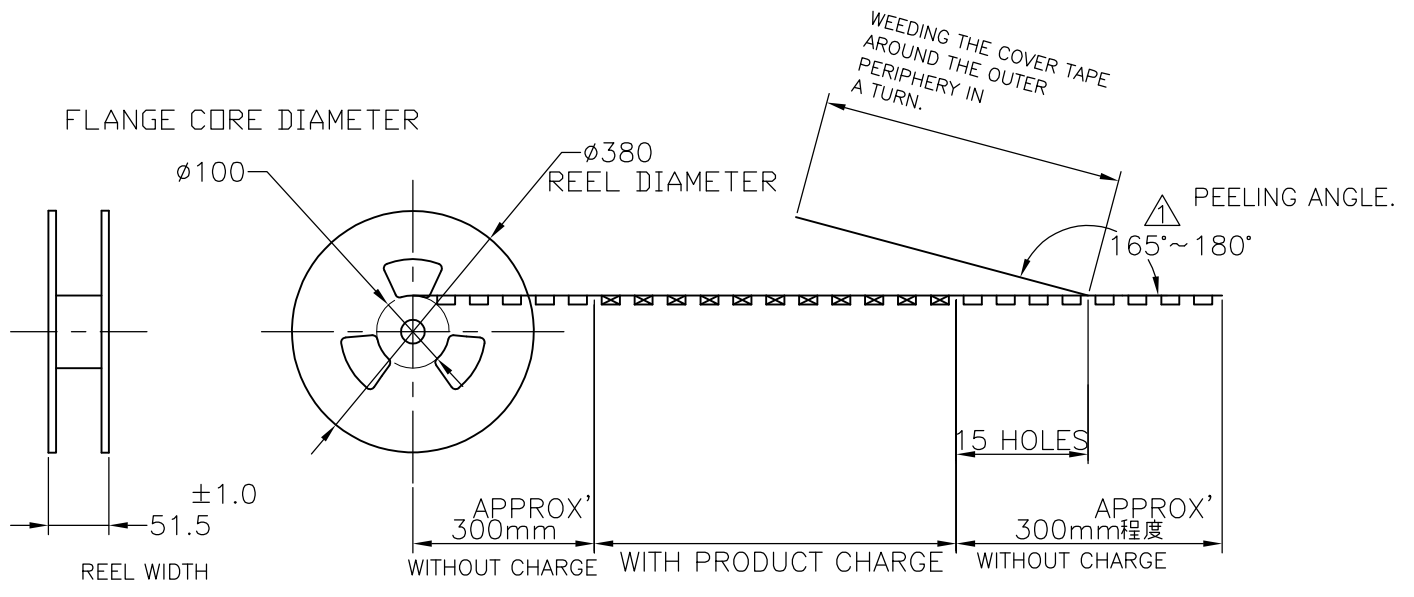
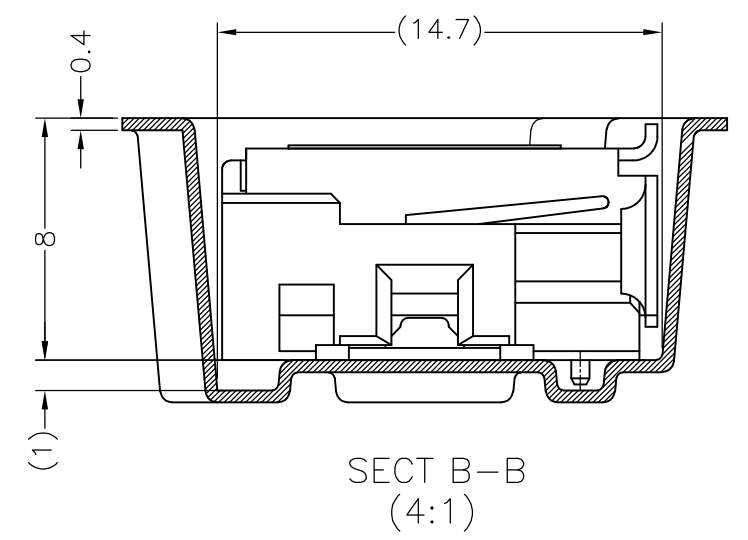
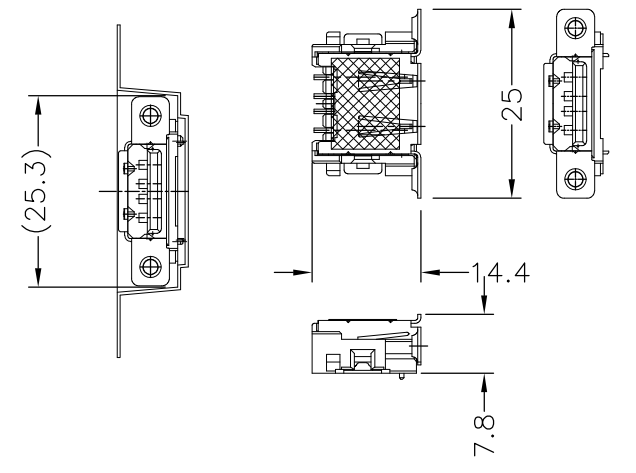
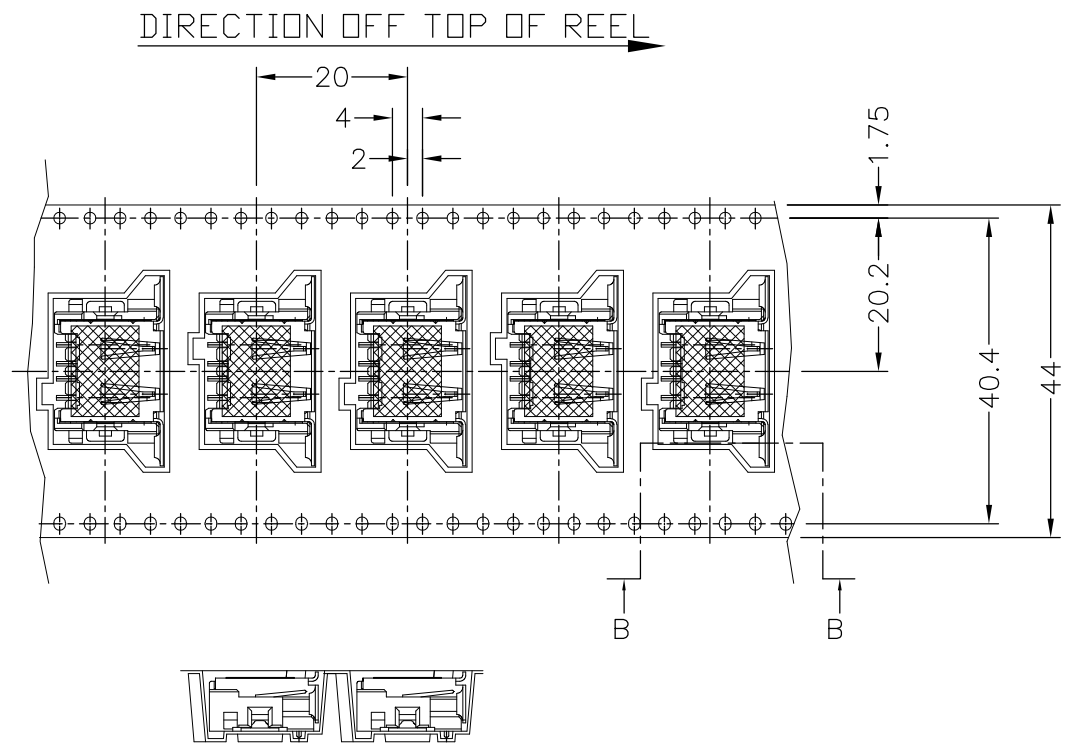
Notes
 1. PRELIMINARY PRODUCT DOES NOT BE PROMISED MANUFACTURE POSITIVELY.
² OBSOLETE PARTS: OBSOLETE CIS STREAMLINING PER D.RENAUD/D.SINISI

PRODUCING	BLACK	350	4	1-6674429-2	5353929-6
PRELIMINARY NOT FOR PRODUCTION	WHITE	350	4	1-6674429-1 ²	5353929-5
PRODUCING	BLACK	350	4	1-5353583-4	5353929-4
PRELIMINARY NOT FOR PRODUCTION	WHITE	350	4	1-5353583-3 ²	5353929-3
PRELIMINARY NOT FOR PRODUCTION	BLACK	350	4	1-5353583-2 ²	5353929-2
PRODUCING	WHITE	350	4	1-5353583-1	5353929-1
TOOLING STATUS	HOUSING COLOR	QTY	POS	CONN. P/N	PART NO.

THIS DRAWING IS A CONTROLLED DOCUMENT.		DWN	J.JIANG	23MAR04	 TE Connectivity	NAME		EMBOSS ASSY	
DIMENSIONS: MM		CHK	S.YAO	23MAR04		PRODUCT SPEC		STD TYPE USB CONN. REC. WITH COVER TYPE	
TOLERANCES UNLESS OTHERWISE SPECIFIED:		APVD	T.SASAKI	23MAR04		APPLICATION SPEC		108-5563	
0 PLC ± 0.3 1 PLC ± 2 PLC ± 3 PLC ± 4 PLC ± ANGLES ± 5°		MATERIAL		FINISH		SIZE	CAGE CODE	DRAWING NO	RESTRICTED TO
		CUSTOMER DRAWING		WEIGHT		A3 00779		C-5353929	
						SCALE		SHEET	
						1:1		1 OF 3	
								REV P	

THIS DRAWING IS UNPUBLISHED. RELEASED FOR PUBLICATION
 © COPYRIGHT - By - ALL RIGHTS RESERVED.

LOC	DIST	REVISIONS					
ES	00	P	LTR	DESCRIPTION	DATE	DWN	APVD
		-		SEE SHEET 1	-	-	-



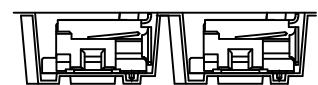
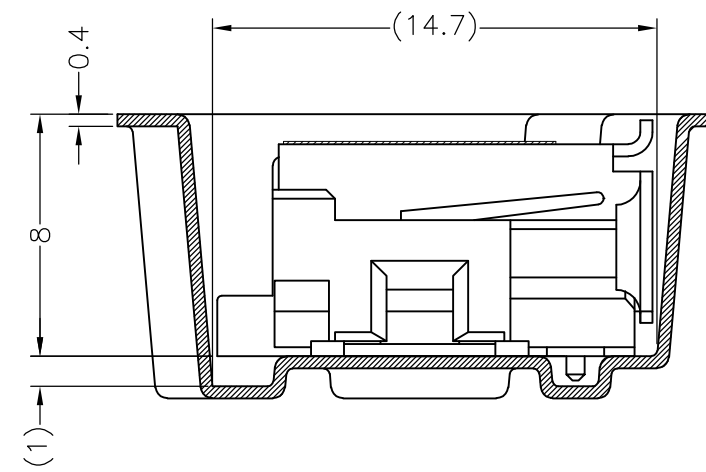
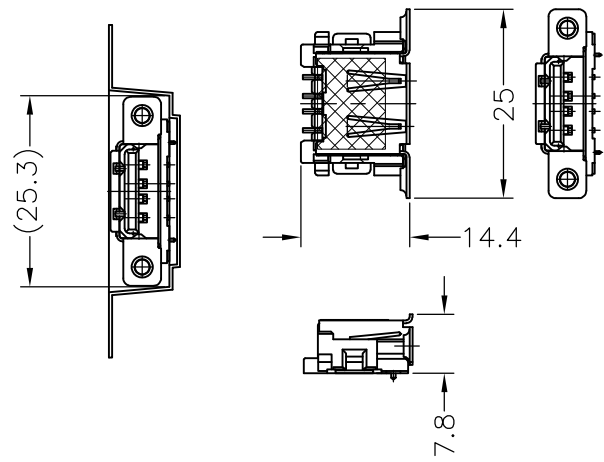
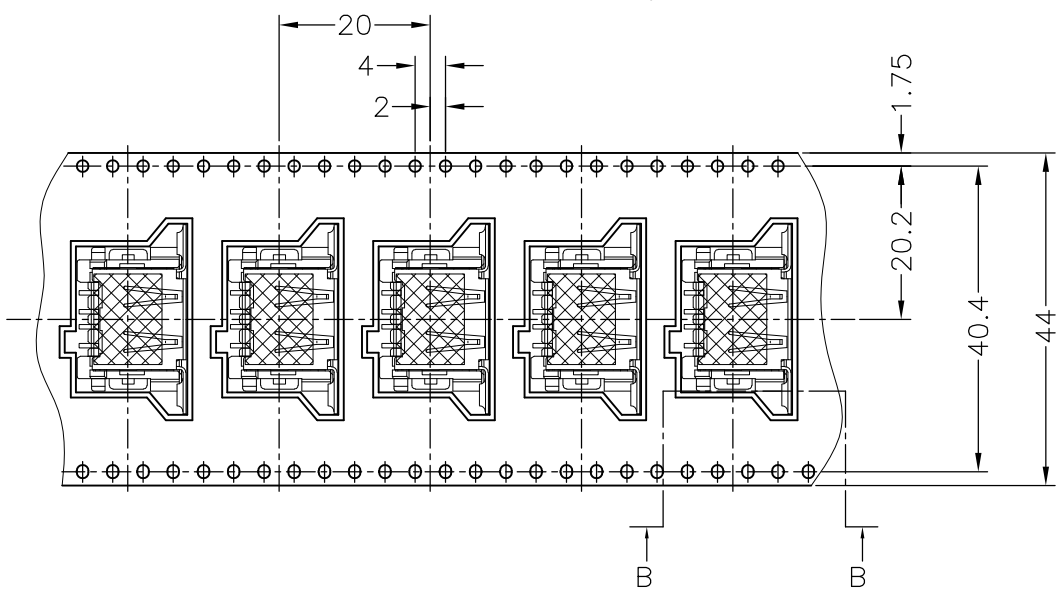
5353929-²3,4

THIS DRAWING IS A CONTROLLED DOCUMENT.		DWN	TE Connectivity NAME EMBOSS ASSY STD TYPE USB CONN. REC. WITH COVER TYPE				
DIMENSIONS: MM		CHK					
		APVD					
TOLERANCES UNLESS OTHERWISE SPECIFIED: 0 PLC ± 0.3 1 PLC ± 2 PLC ± 3 PLC ± 4 PLC ± ANGLES ± 5°		PRODUCT SPEC					
MATERIAL		FINISH	APPLICATION SPEC	SIZE	CAGE CODE	DRAWING NO	RESTRICTED TO
			WEIGHT	A3	00779	C-5353929	-
CUSTOMER DRAWING			SCALE	1:1	SHEET	2 OF 3	REV P

THIS DRAWING IS UNPUBLISHED. RELEASED FOR PUBLICATION
 © COPYRIGHT - By - ALL RIGHTS RESERVED.

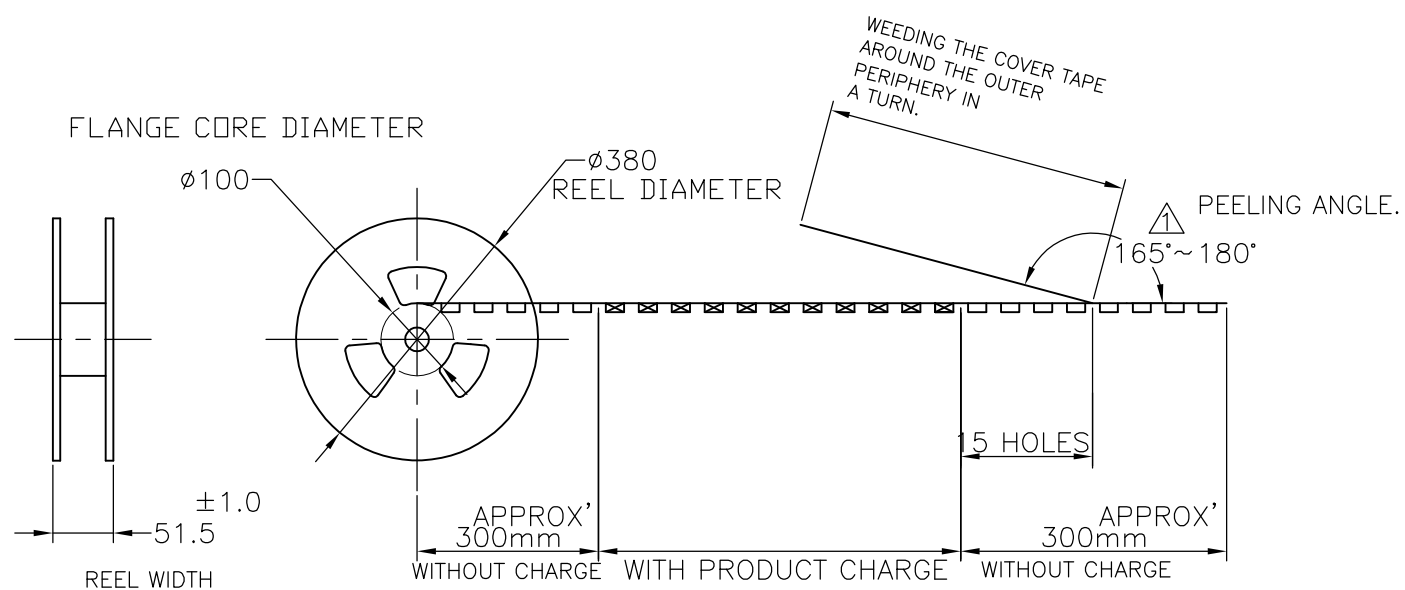
LOC ES	DIST 00	REVISIONS			
P	LTR	DESCRIPTION	DATE	DWN	APVD
-	-	SEE SHEET 1	-	-	-

DIRECTION OFF TOP OF REEL →



CONNECTOR DETAIL

SECT B-B
(4:1)



5353929-²~~5~~,6

THIS DRAWING IS A CONTROLLED DOCUMENT.		DWN	TE Connectivity NAME EMOSS ASSY STD TYPE USB CONN. REC. WITH COVER TYPE					
DIMENSIONS: MM		CHK				SIZE	CAGE CODE	DRAWING NO
TOLERANCES UNLESS OTHERWISE SPECIFIED: 0 PLC ± 0.3 1 PLC ± 2 PLC ± 3 PLC ± 4 PLC ± ANGLES ± 5°		APVD				A3	00779	C-5353929
MATERIAL		PRODUCT SPEC				RESTRICTED TO		
FINISH		APPLICATION SPEC	SCALE 1:1					
		WEIGHT	SHEET 3 OF 3					
		CUSTOMER DRAWING	REV P					